



**VANSICHEN**  
LINEAR TECHNOLOGY

**Track systems**  
for **FANUC**

# CONTENT

7 reasons	1
General information	2-3
General overview	4
Custom made track systems	5
Robottracks	6-57
Specials	58-61
Realisations	62-64

Duplication is not allowed without our express permission. Dimensions and any other technical details given in this catalogue are subject to alterations without notice and are completely without obligation on our part. All rights to make technical changes to the dimensions and the range of our programme are reserved.

Printed 2022

## ABOUT VANSICHEN LINEAR TECHNOLOGY

Vansichen Linear Technology began selling linear components in 1993. The company has since grown into a dynamic team that guarantees quick and efficient advice for linear technology ranging from standard components to customized components and even complete projects. Since 1998 SimKon by Vansichen has been the specialist for linear travelling axes for industrial robots.

With lots of experience in the automotive industry, as well as workpiece positioning using rotary and rotary-tilting tables. With this combined experience we have compiled this catalogue with tracksystems for FANUC robots. The purpose of this catalogue is to give a complete overview of all the possibilities we offer when moving a FANUC robot. This can go from very dirty to cleanroom conditions and even for paint applications. If you do not find the right solution for your project here, just contact us! Our team is at your disposal!

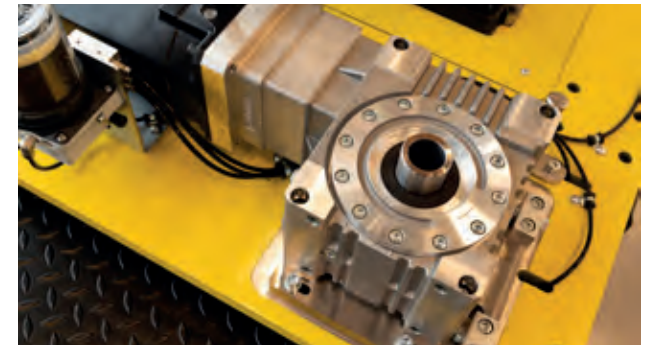
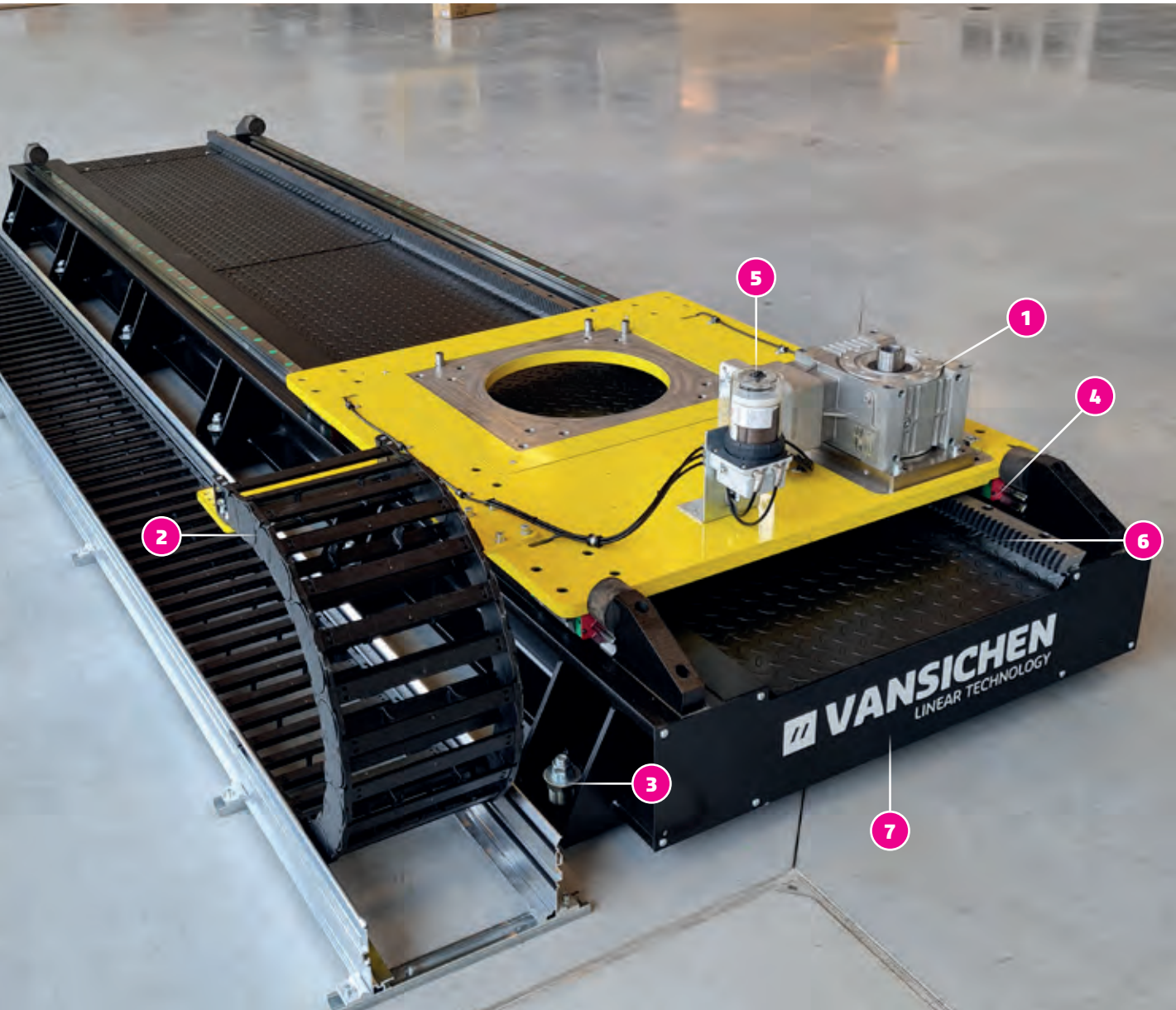


## 7 reasons to choose our 7th axis

Our robottracks move your FANUC robot precisely across the floor or through the air. Here are the advantages of integrating a Vansichen track:

1. The robots can work at **100% capacity** while moving along the track
2. **Fast and easy** assembly on site
3. Trackparts **up to 12 m** length
4. Total length possible **up to 100 m** by connecting parts
5. Lifetime **up to 100.000 km**
6. High stiffness and repetitive accuracy with speeds **up to 4 m/s**
7. The design can be **adapted to the customer's wishes**



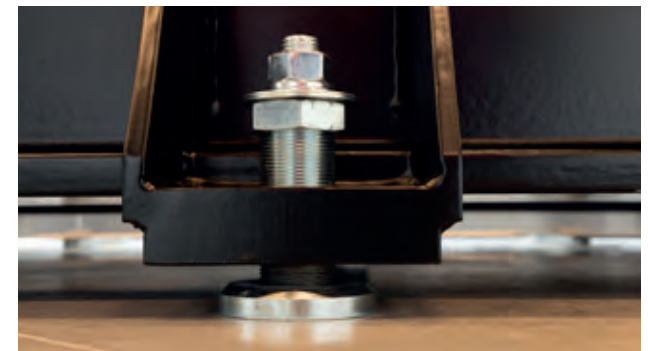


**1. LOW BACKLASH GEARBOX**

Planetary gearbox as an option // Motor sizing assistance



**2. ENERGY SUPPLY CHAIN**



**3. EASY TO LEVEL ANCHORING SYSTEM**

It allows to drill and anchor through the center of the jackbolt



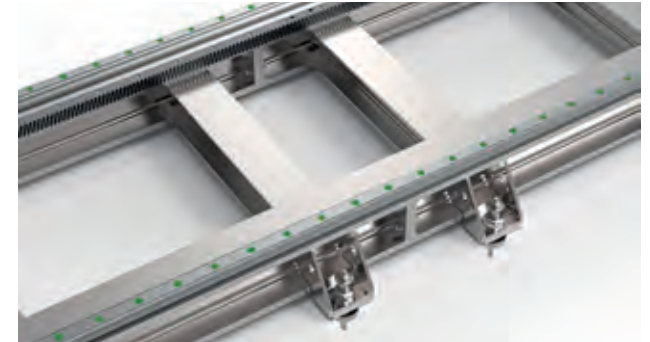
#### 4. LINEAR GUIDEWAYS BALL TYPE

Sized for long life  
Extra seals on guiding blocks available



#### 6. DRIVE VIA RACK AND PINION

Repeatability  $\pm 0.03$  mm  
Higher accuracy is available as an option



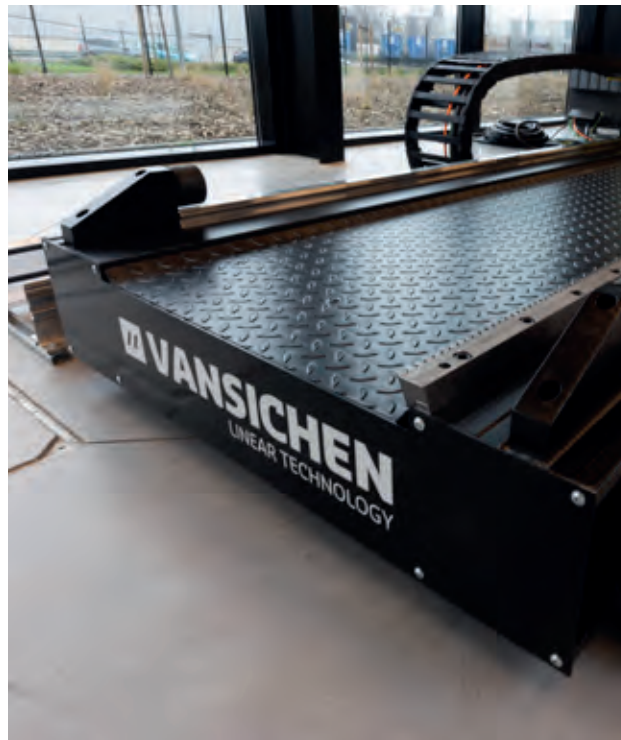
#### 8. TORSIONALLY STIFF BASIC STRUCTURES

Coupling without airgap between the individual parts



#### 5. LUBRICATION OF THE GUIDEWAYS & RACK

Via automatic central lubrication system



#### 7. BASE FRAME WITH WALK-ON COVERS




Completely sealed by bellows on request

#### GENERAL OPTIONS

- // Higher accuracies
- // Higher acceleration and speed
- // Electrical rail power system
- // Additional carriages on the track
- // Powder coating
- // Free choice of energychain position
- // Custom made construction
- // Professional field assembly available
- // Condition Monitoring

# OVERVIEW

# Track systems for FANUC

FANUC Robot Type	 Floor	 Wall	 Ceiling
CRX-5iA   CRX-10iA   CRX-10iA/L CRX-20iA/L	<b>FT25</b> P.6-7 / <b>FT25-BD</b> P.8 / <b>FT25-BS</b> P.9	<b>AT25-W</b> P.10-11	On request
LR-Mate Series	<b>FT25</b> P.6-7 / <b>FT25-BD</b> P.8 / <b>FT25-BS</b> P.9	<b>AT25-W</b> P.10-11	On request
M-10 Series   M-20 Series   CRX-25iA	<b>FT30-AL</b> P.12-13 / <b>FT35-AT</b> P.14-15 / <b>FT35</b> P.16-17 / <b>AT35-F</b> P.20-21 / <b>FT35-CO</b> P.18-19	<b>AT35-W</b> P.22-23	<b>AT35-C</b> P.24-25
Arc Mate Series	<b>FT35*</b> P.16-17 / <b>FT35-CO</b> P.18-19		
M-410iC/110   M-410iB/140H	<b>FT45</b> P.26-27 / <b>SRMC-1500-LC</b> P.30-31 / <b>SRMC-1500-3</b> P.28-29	-	-
M-410iC/185	<b>FT45</b> P.26-27 / <b>SRMC-1500-LC</b> P.30-31 / <b>SRMC-1500-3</b> P.28-29	-	-
M-410iC/315   M-410iC/500   M-410iC/700	<b>FT55</b> P.36-37 / <b>SRMC-4000-LC</b> P.46-47	-	-
M-710 Series	<b>FT35</b> P.16-17 / <b>FT55-AT</b> P.38-39 / <b>AT55-F</b> P.40-41 / <b>SRMC-750-LC</b> P.50-51 / <b>SRMC-750-3</b> P.48-49 / <b>FT35-CO</b> P.18-19	<b>AT55-W</b> P.42-43	<b>AT55-C</b> P.44-45
M-900iB/280   M-900iB/280L   M-900iB/360	<b>FT45T**</b> / <b>FT55</b> P.36-37 / <b>SRMC-2000-LC</b> P.34-35 / <b>SRMC-2000-3</b> P.32-33	On request	On request
M-900iB/400L   M-900iB/700	<b>FT55</b> P.36-37 / <b>SRMC-4000-LC</b> P.46-47	-	-
M-1000	<b>FT55T**</b> / <b>FT65</b> P.52-53	-	-
M-2000iA/900L   M-2000iA/1200	<b>FT65</b> P.52-53	-	-
M-2000iA/1700L   M-2000iA/2300	<b>FT65-D</b> P.54-55	-	-
R-1000 Series	<b>FT35</b> P.16-17 / <b>FT55-AT</b> P.38-39 / <b>AT55-F</b> P.40-41 / <b>SRMC-750-LC</b> P.50-51 / <b>SRMC-750-3</b> P.48-49 / <b>FT45-CO</b> P.56-57	-	<b>AT55-C</b> P.44-45
R-2000 Series	<b>FT45</b> P.26-27 / <b>SRMC-1500-LC</b> P.30-31 / <b>SRMC-1500-3</b> P.28-29	-	-
R-2000iC/210WE	Available on request	-	-
R-2000iC/220U	-	-	On request

\* FT35: This track needs extra cover for welding applications.

\*\* FT45T & FT55T: These are tracks with extra guiding blocks under the carriage. For use of these tracks, please contact us.

# CUSTOM MADE TRACK SYSTEMS



# FT25



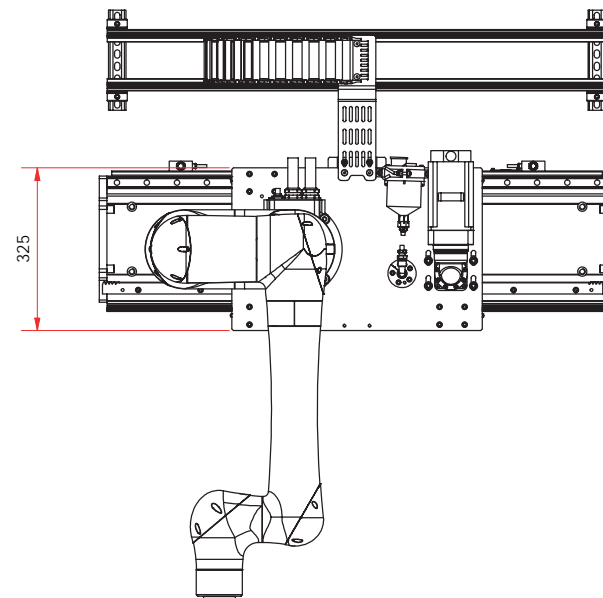
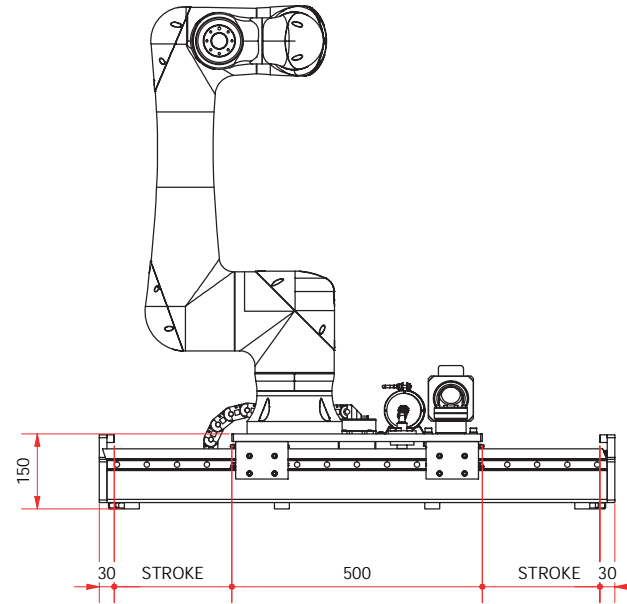
## Robotrack FT25

<b>Mounting Position</b>	 FLOOR
<b>Mass axis</b>	90 kg/m
<b>Guiding railsize</b>	25
<b>Driving System</b>	Rack M3
<b>Acceleration</b>	3 m/s <sup>2</sup>
<b>Speed</b>	3 m/s

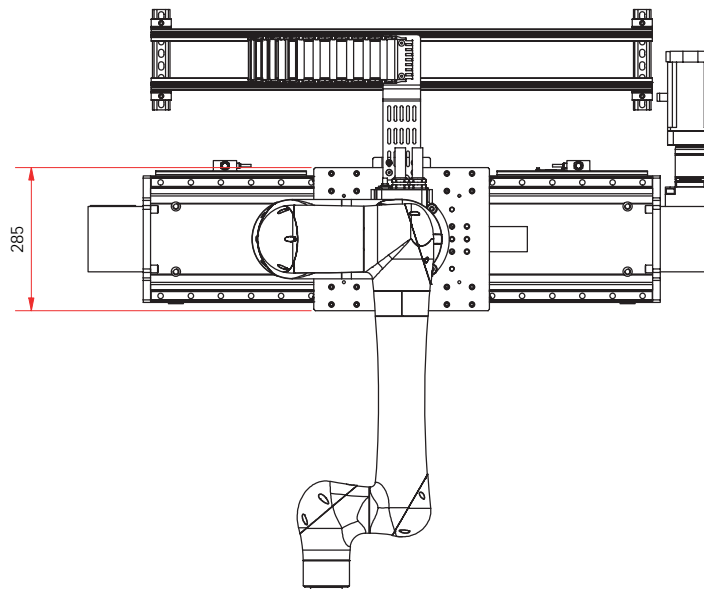
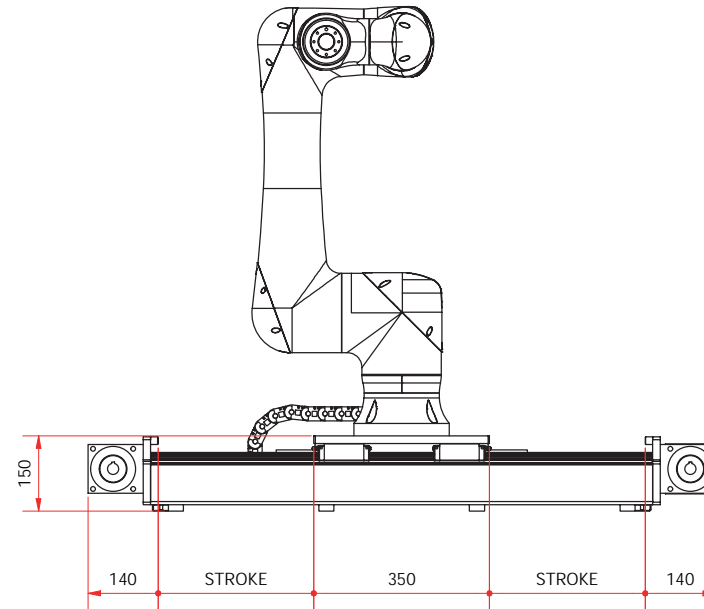
## Suitable FANUC Robots

CRX-5iA
CRX-10iA
CRX-10iA/L
CRX-20iA/L






# FT25-BD




## Robotrack FT25-BD

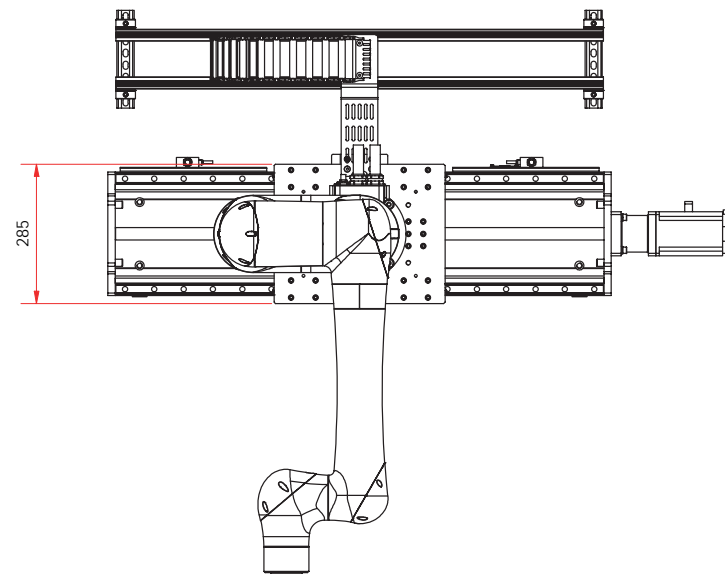
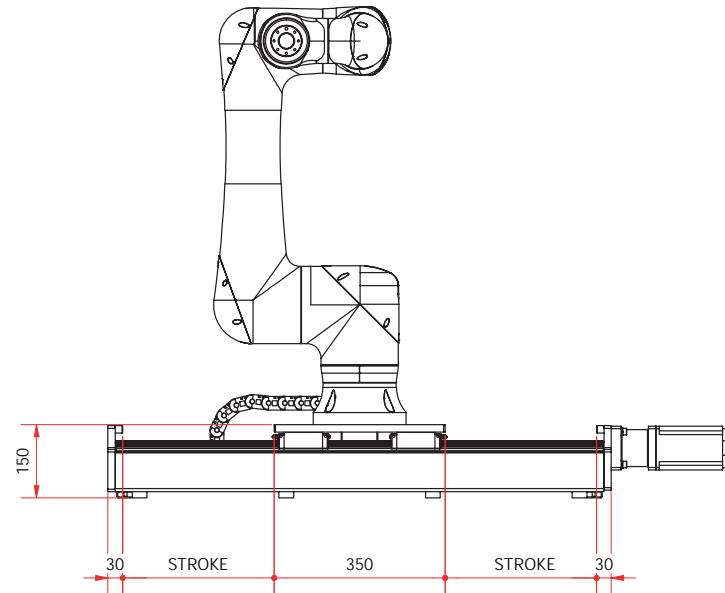
<b>Mounting Position</b>	 FLOOR
<b>Mass axis</b>	75 kg/m
<b>Guiding railsize</b>	25
<b>Driving System</b>	Belt 8M50
<b>Acceleration</b>	3 m/s <sup>2</sup>
<b>Speed</b>	3 m/s

## Suitable FANUC Robots

CRX-5iA
CRX-10iA
CRX-10iA/L
CRX-20iA/L

Robotrack FT25-BS	
<b>Mounting Position</b>	 FLOOR
<b>Mass axis</b>	95 kg/m
<b>Guiding railsize</b>	25
<b>Driving System</b>	BallScrew Ø25
<b>Acceleration</b>	3 m/s <sup>2</sup>
<b>Speed</b>	1 m/s

Suitable FANUC Robots	
	CRX-5iA
	CRX-10iA
	CRX-10iA/L
	CRX-20iA/L



# AT25-W

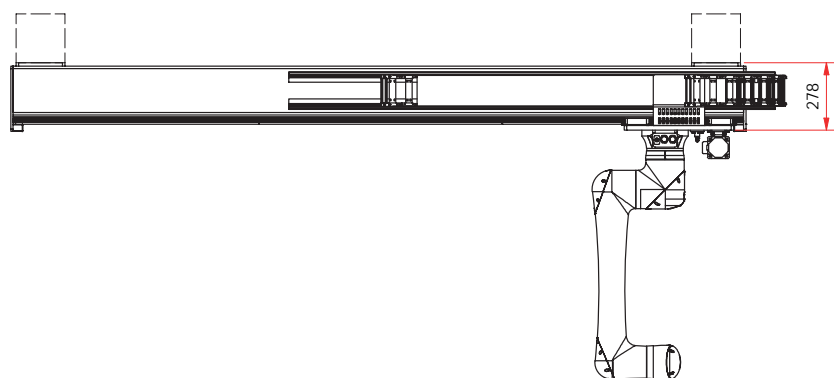
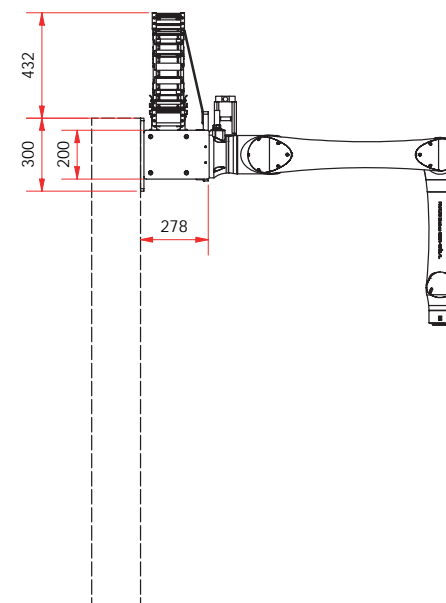
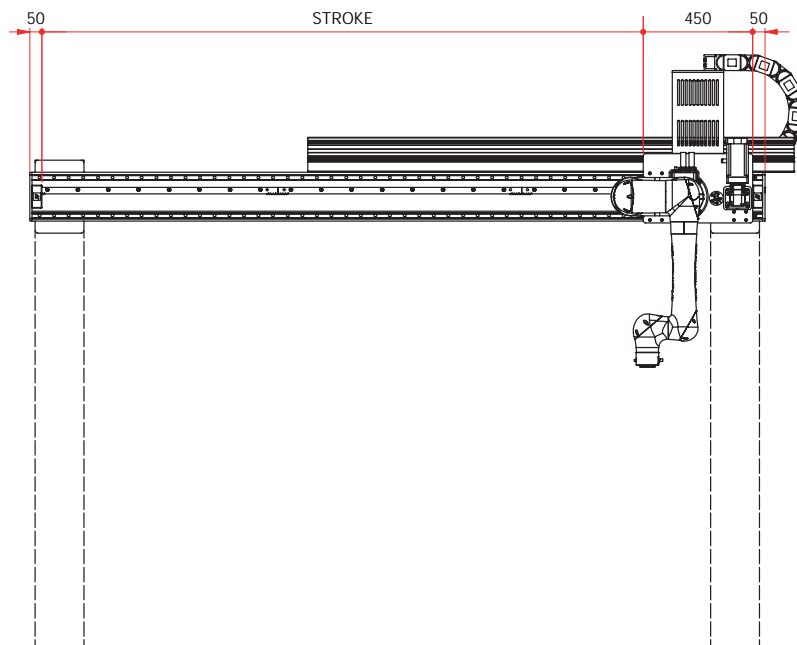


## Robotrack AT25-W

<b>Mounting Position</b>	 WALL
<b>Mass axis</b>	60 kg/m
<b>Guiding railsize</b>	25
<b>Rack</b>	M3
<b>Acceleration</b>	2,5 m/s <sup>2</sup>
<b>Speed</b>	2,5 m/s

## Suitable FANUC Robots

CRX-5iA
CRX-10iA
CRX-10iA/L
CRX-20iA/L



# FT30-AL

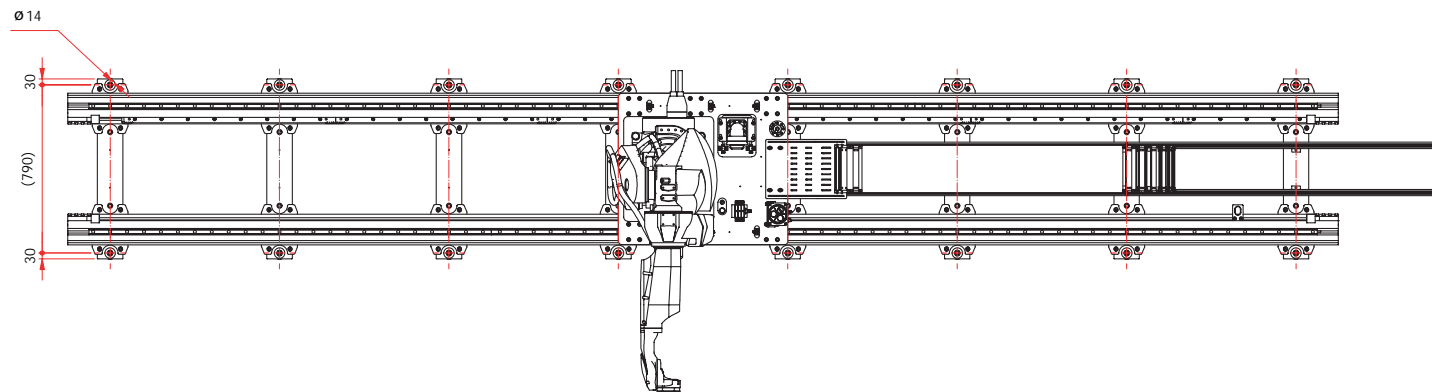
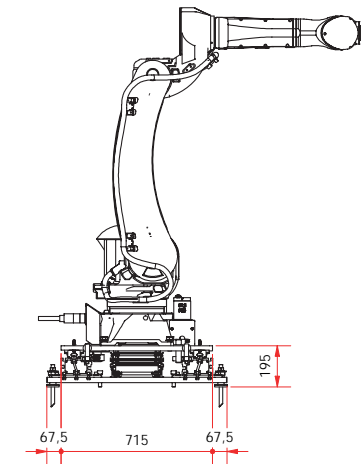
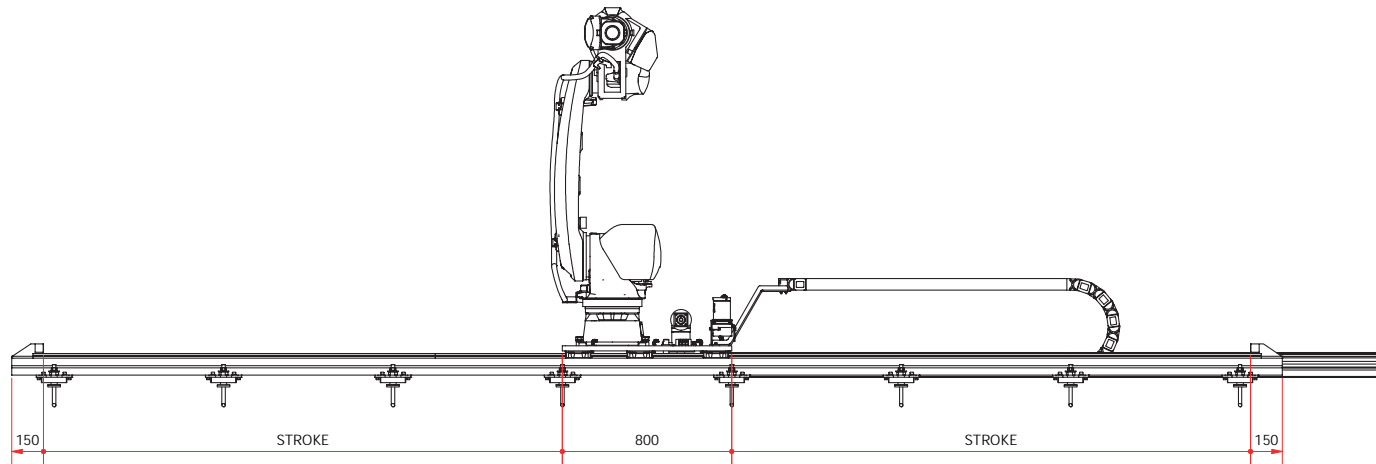


## Robotrack FT30-AL

<b>Mounting Position</b>	 FLOOR
<b>Mass axis</b>	75 kg/m
<b>Guiding railsize</b>	30
<b>Rack</b>	M3
<b>Acceleration</b>	2,5 m/s <sup>2</sup>
<b>Speed</b>	2,5 m/s

## Suitable FANUC Robots

M-10 Series
M-20 Series
CRX-25iA



# FT35-AT



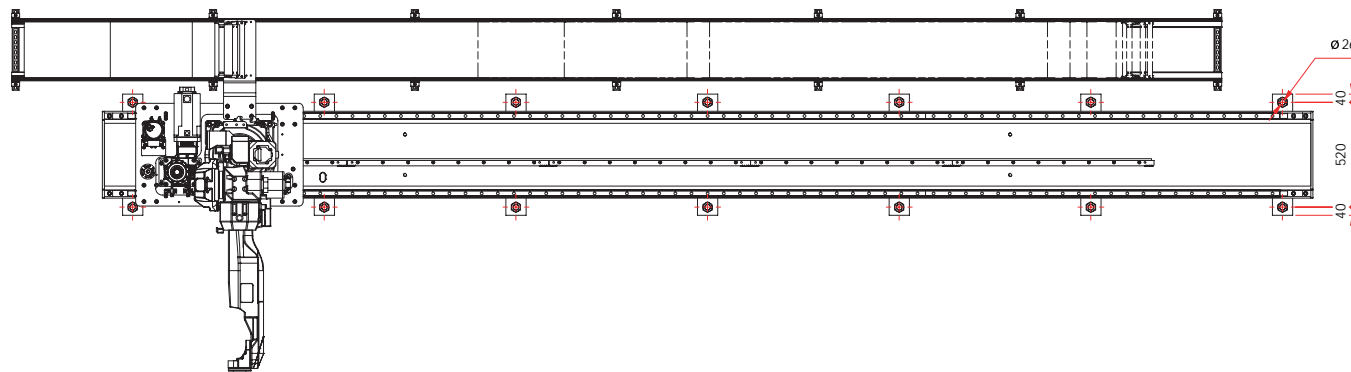
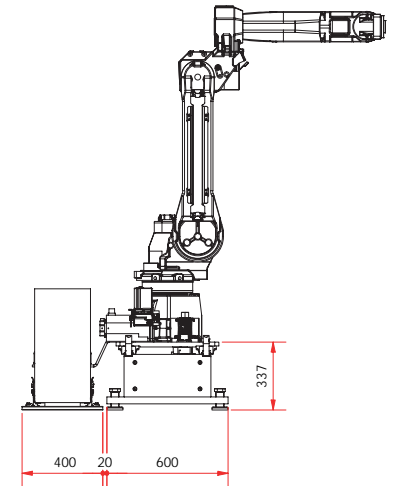
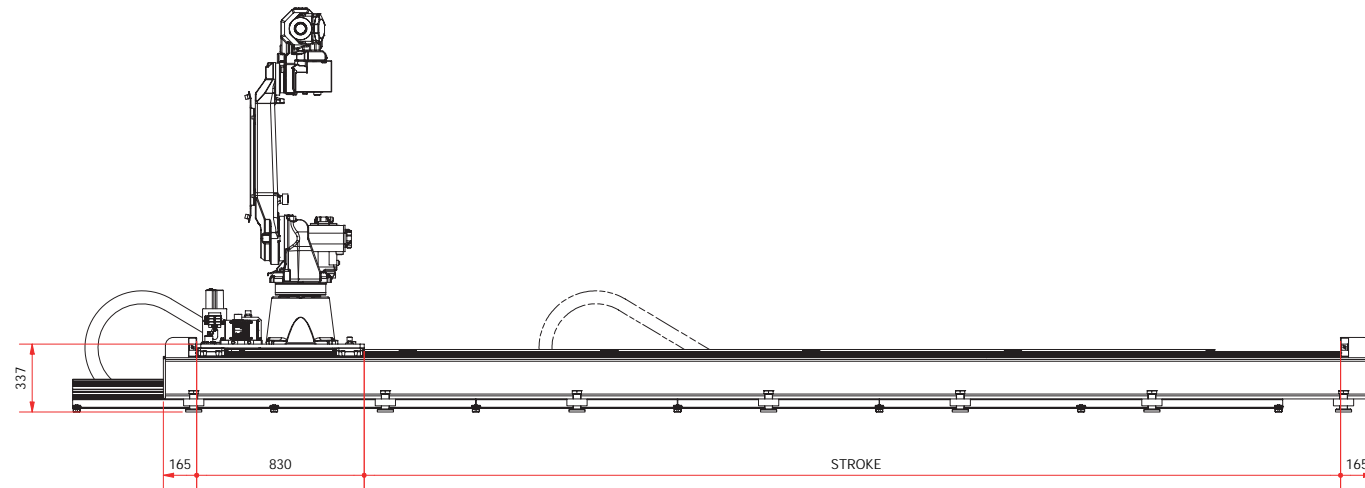
## Robotrack FT35-AT

<b>Mounting Position</b>	 FLOOR
<b>Mass axis</b>	200 kg/m
<b>Guiding railsize</b>	35
<b>Rack</b>	M3
<b>Acceleration</b>	2,5 m/s <sup>2</sup>
<b>Speed</b>	2,5 m/s

## Suitable FANUC Robots

M-10 Series
M-20 Series
CRX-25iA






# FT35

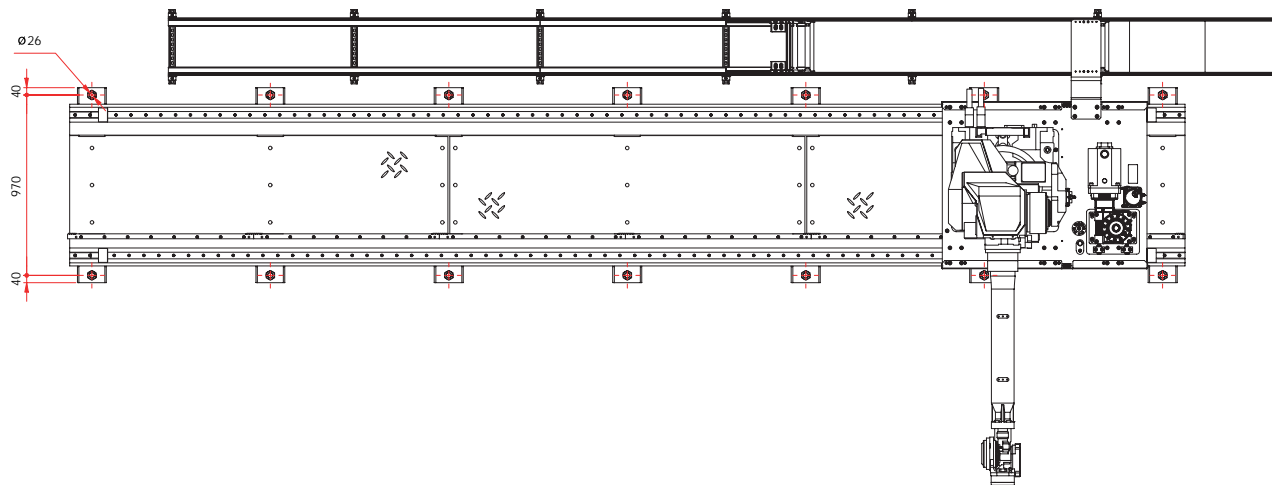
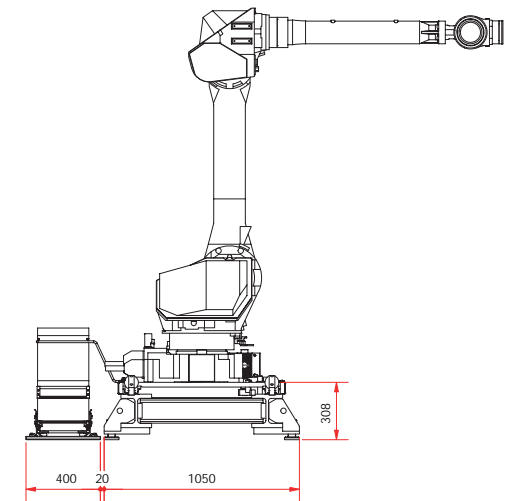
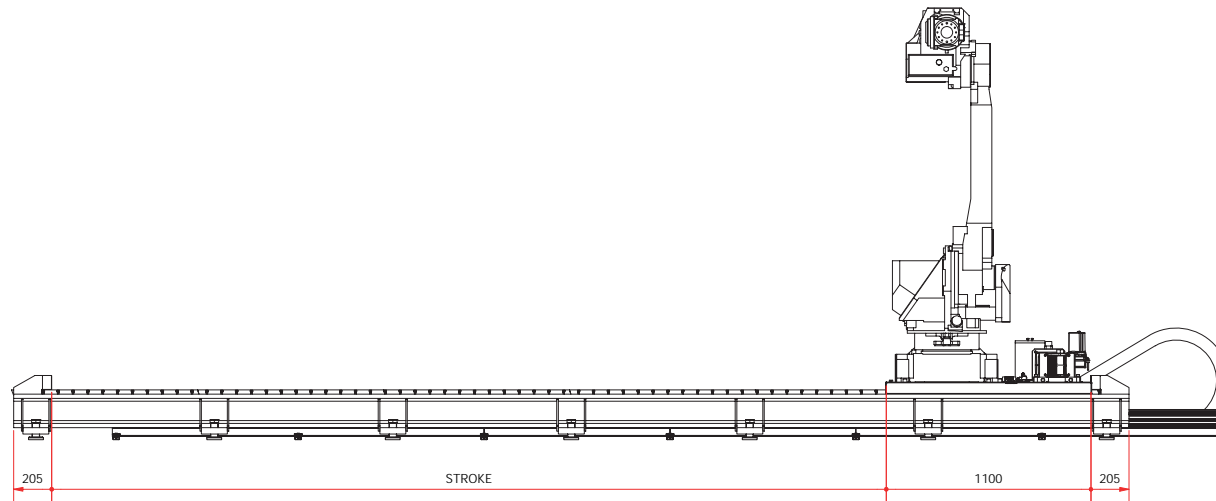


## Robotrack FT35

<b>Mounting Position</b>	 FLOOR
<b>Mass axis</b>	230 kg/m
<b>Guiding railsize</b>	35
<b>Rack</b>	M3
<b>Acceleration</b>	2,5 m/s <sup>2</sup>
<b>Speed</b>	2,5 m/s

## Suitable FANUC Robots

M-10 Series
M-20 Series
CRX-25iA
Arc Mate Series
M-710 Series
R-1000 Series



# FT35-CO

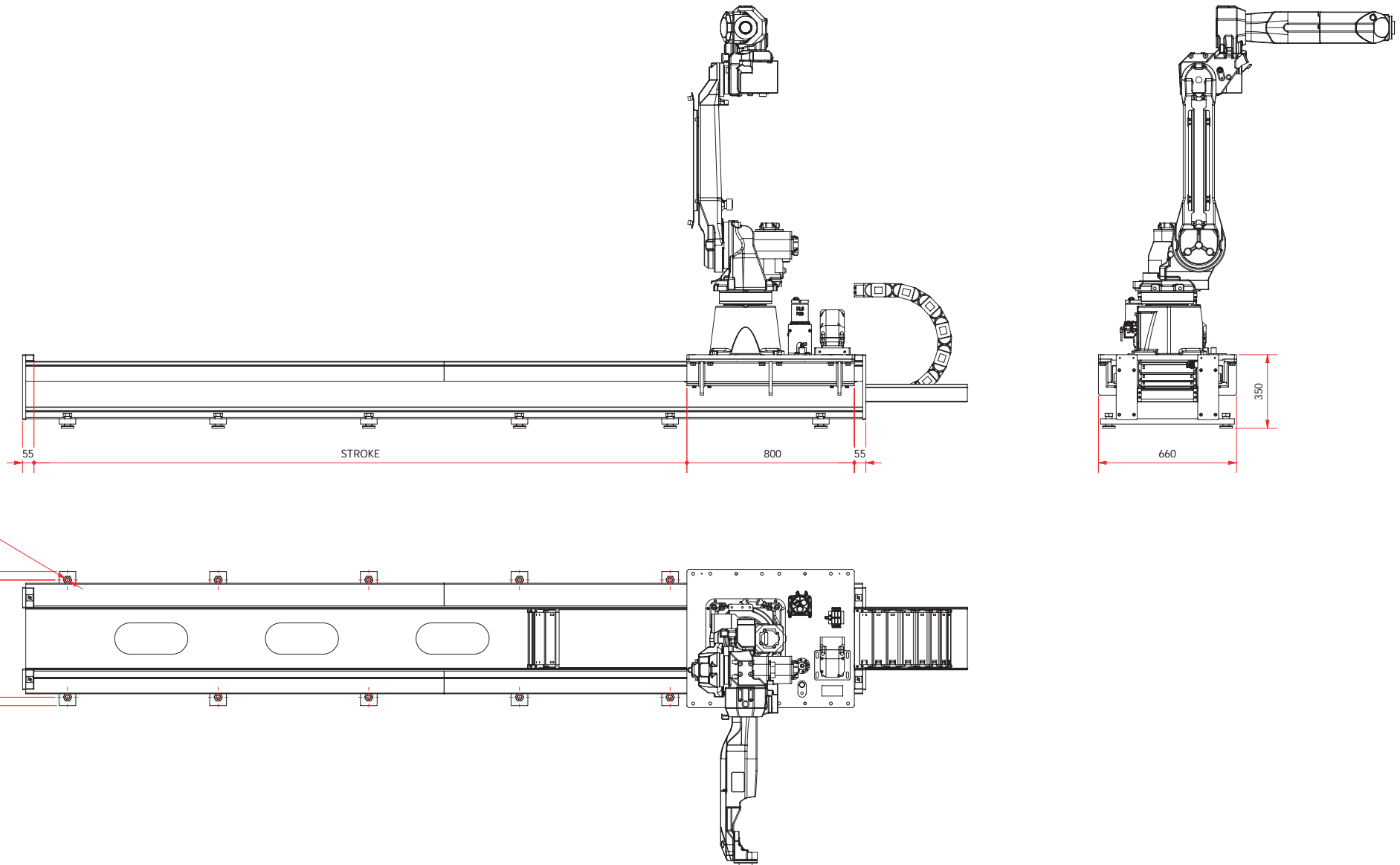


## Robotrack FT35-CO

<b>Mounting Position</b>	 FLOOR
<b>Mass axis</b>	215 kg/m
<b>Guiding railsize</b>	35
<b>Rack</b>	M3
<b>Acceleration</b>	2,5 m/s <sup>2</sup>
<b>Speed</b>	2,5 m/s

## Suitable FANUC Robots


M-10 Series
M-20 Series
CRX-25iA
Arc Mate Series
M-710 Series



# AT35-F

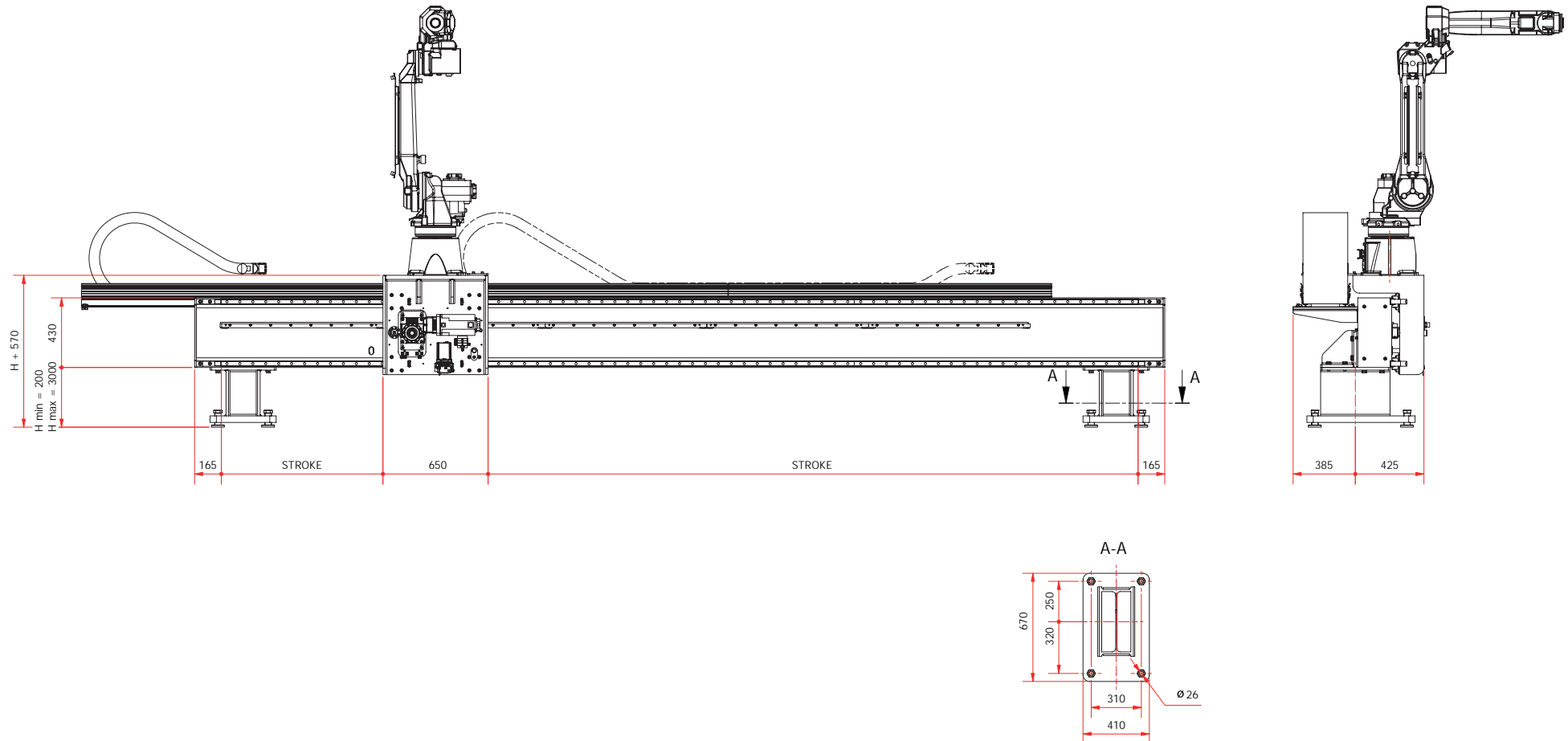


## Robotrack AT35-F

<b>Mounting Position</b>	 FLOOR
<b>Mass axis</b>	185 kg/m
<b>Guiding railsize</b>	35
<b>Rack</b>	M3
<b>Acceleration</b>	2,5 m/s <sup>2</sup>
<b>Speed</b>	2,5 m/s

## Suitable FANUC Robots

M-10 Series
M-20 Series
CRX-25iA



# AT35-W



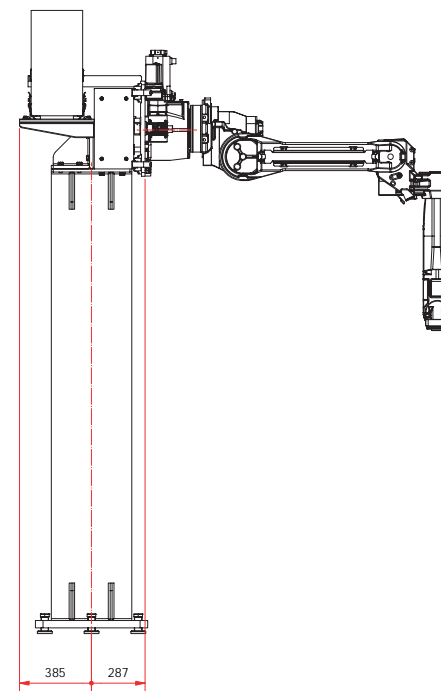
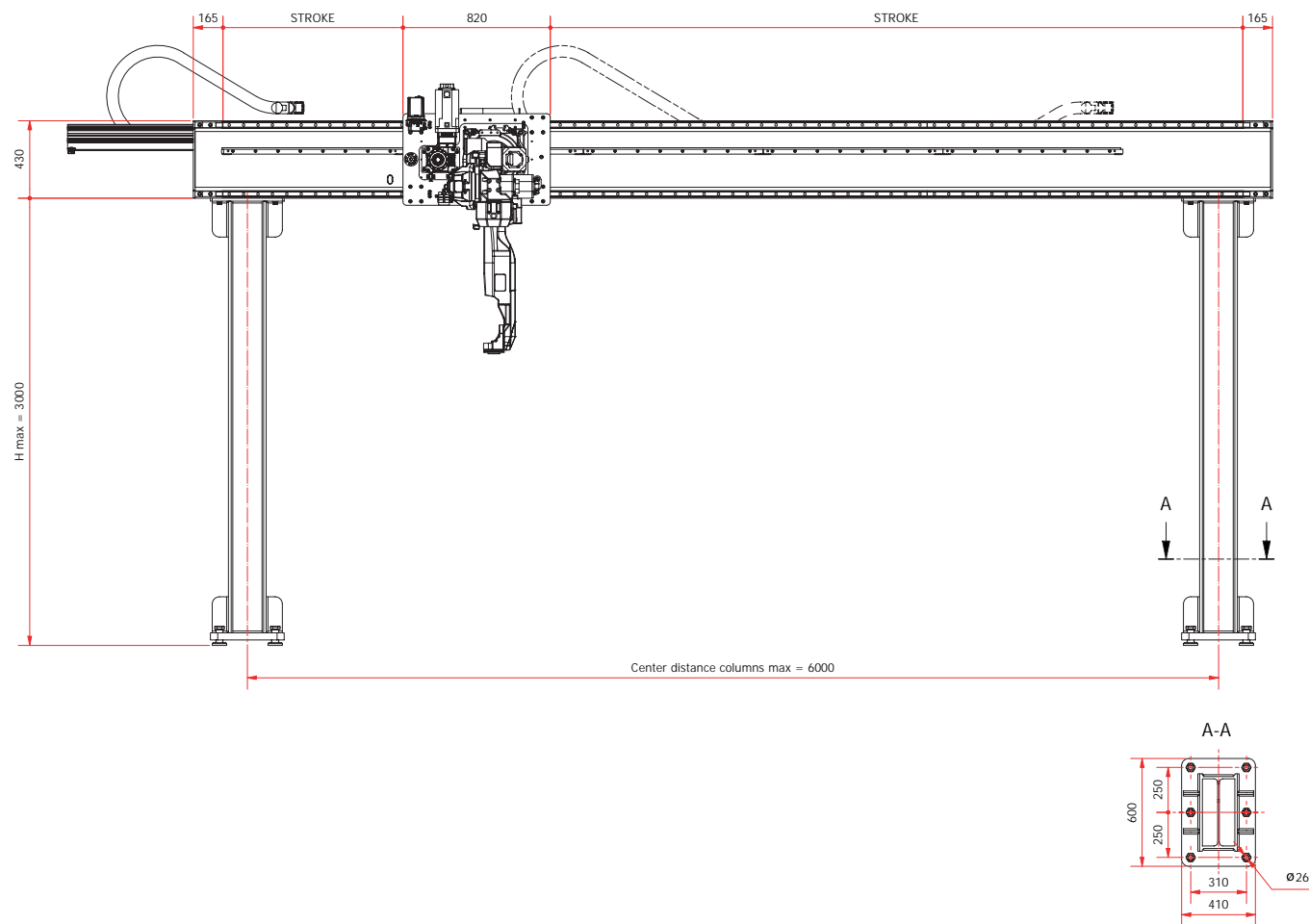
## Robotrack AT35-W

<b>Mounting Position</b>	 WALL
<b>Mass axis</b>	185 kg/m
<b>Guiding railsize</b>	35
<b>Rack</b>	M3
<b>Acceleration</b>	2,5 m/s <sup>2</sup>
<b>Speed</b>	2,5 m/s

## Suitable FANUC Robots

M-10 Series
M-20 Series
CRX-25iA
Arc Mate Series





# AT35-C



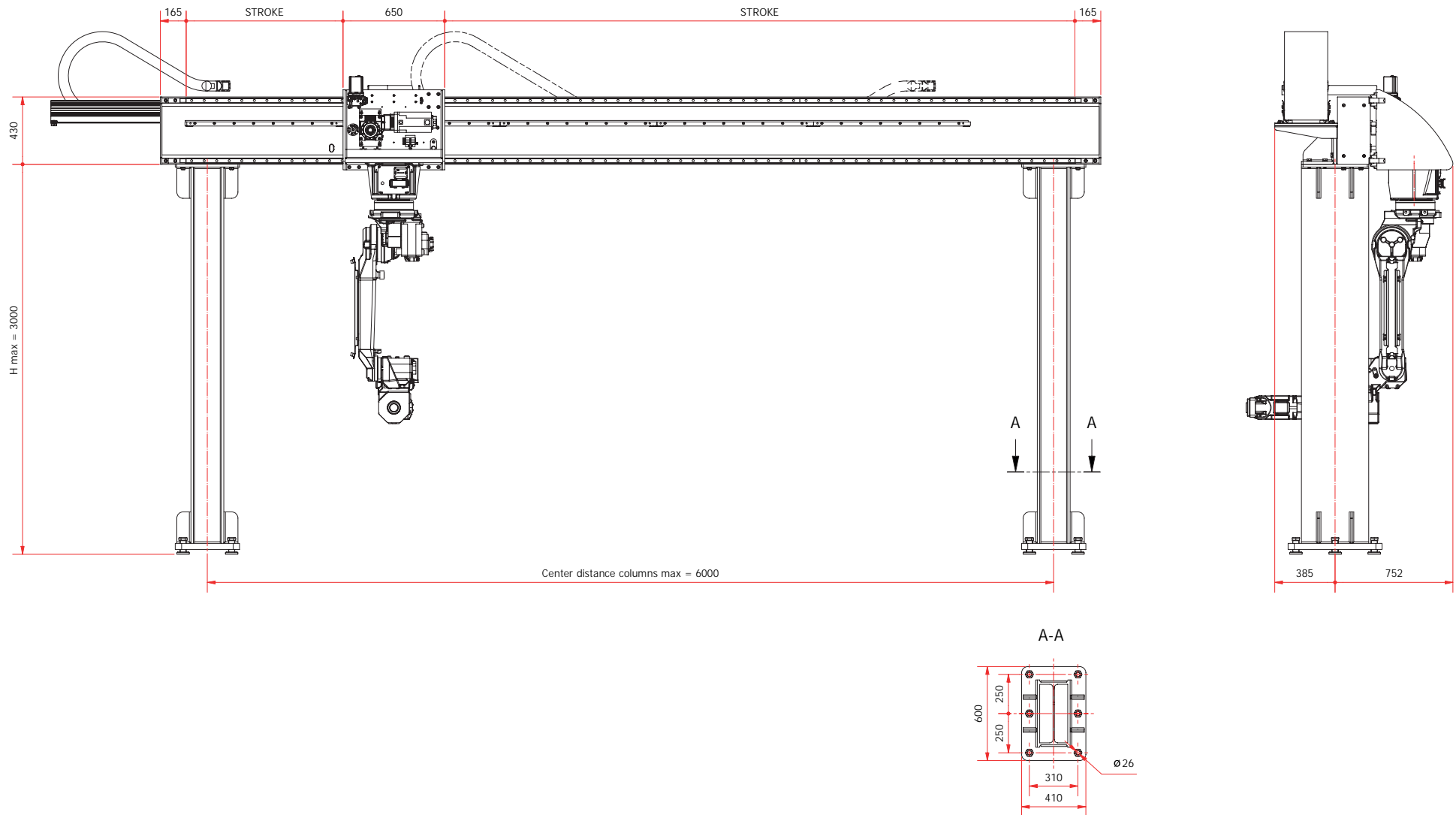
## Robotrack AT35-C

<b>Mounting Position</b>	 CEILING
<b>Mass axis</b>	185 kg/m
<b>Guiding railsize</b>	35
<b>Rack</b>	M3
<b>Acceleration</b>	2,5 m/s <sup>2</sup>
<b>Speed</b>	2,5 m/s

## Suitable FANUC Robots

M-10 Series
M-20 Series
CRX-25iA
Arc Mate Series

# AT35-C



# FT45

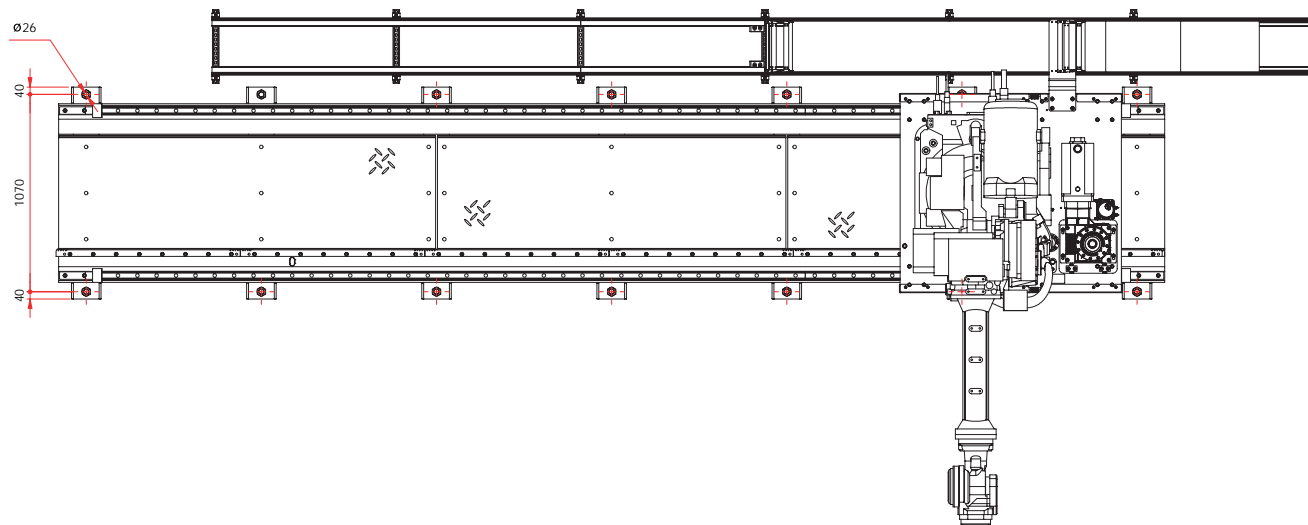
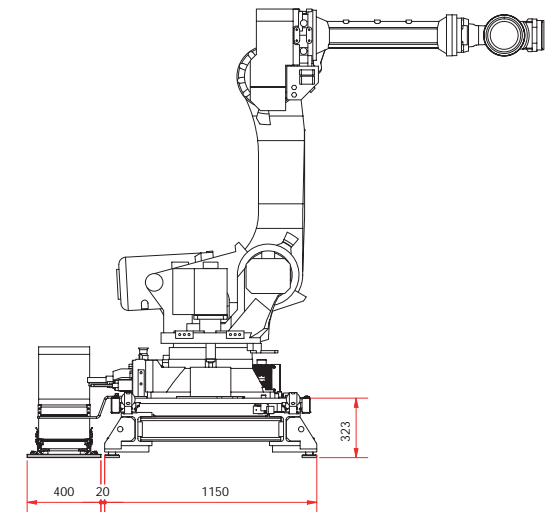
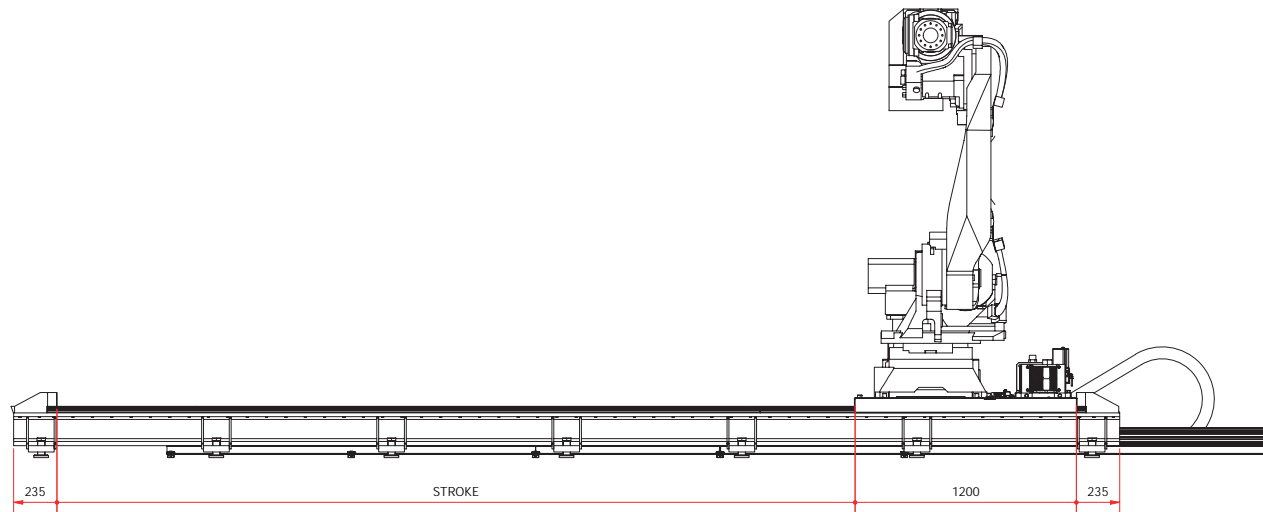


## Robotrack FT45

<b>Mounting Position</b>	 FLOOR
<b>Mass axis</b>	260 kg/m
<b>Guiding railsize</b>	45
<b>Rack</b>	M4
<b>Acceleration</b>	2 m/s <sup>2</sup>
<b>Speed</b>	2 m/s

## Suitable FANUC Robots

M-410iC/110
M-410iB/140H
M-410iC/185
R-2000 Series



# SRMC-1500-3



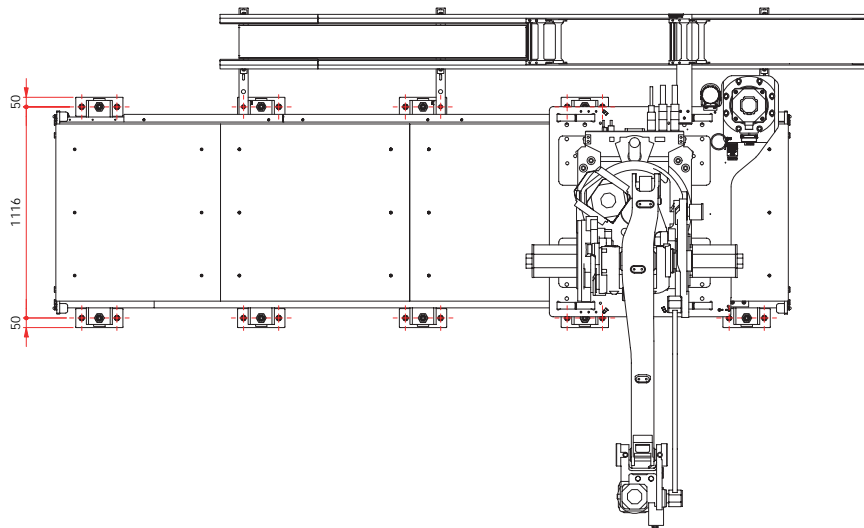
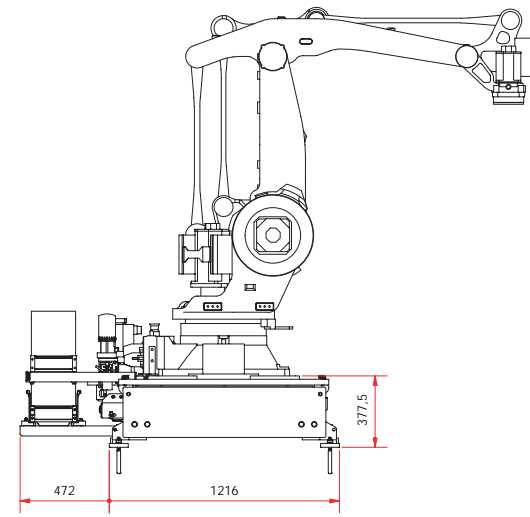
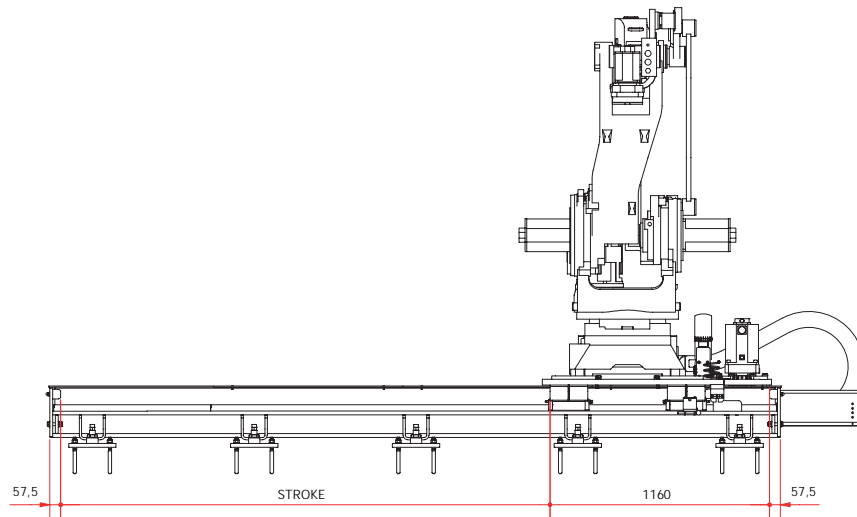
## Robotrack SRMC-1500-3

<b>Mounting Position</b>	 FLOOR
<b>Mass axis</b>	249 kg/m
<b>Guiding railsize</b>	55
<b>Rack</b>	M4
<b>Acceleration</b>	2 m/s <sup>2</sup>
<b>Speed</b>	2 m/s

## Suitable FANUC Robots

M-410iC/110
M-410iB/140H
R-2000 Series

# SRMC-1500-3



# SRMC-1500-LC



## Robottrack SRMC-1500-LC

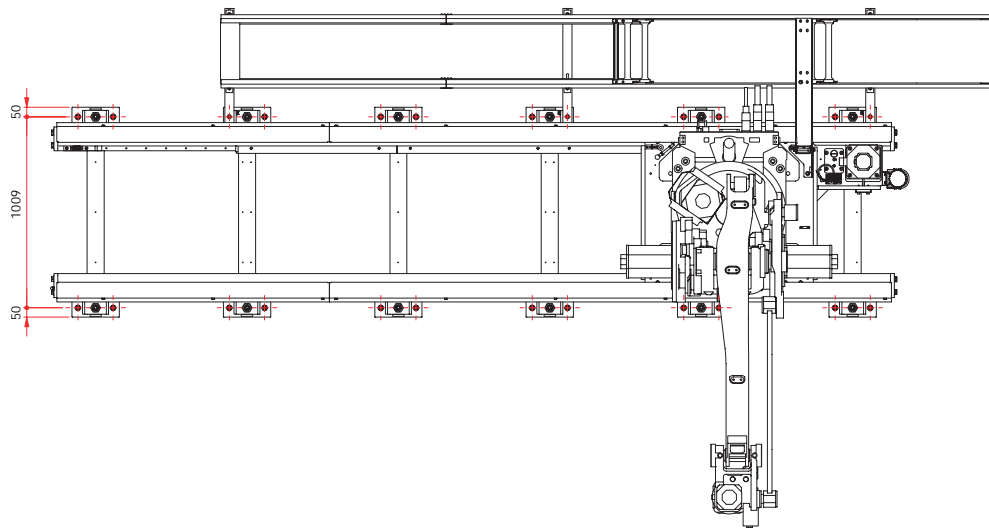
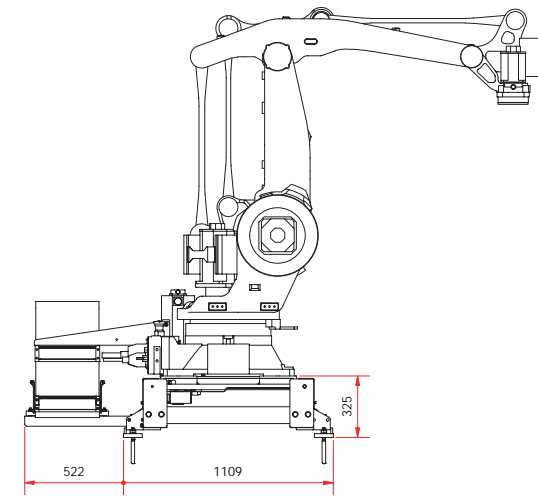
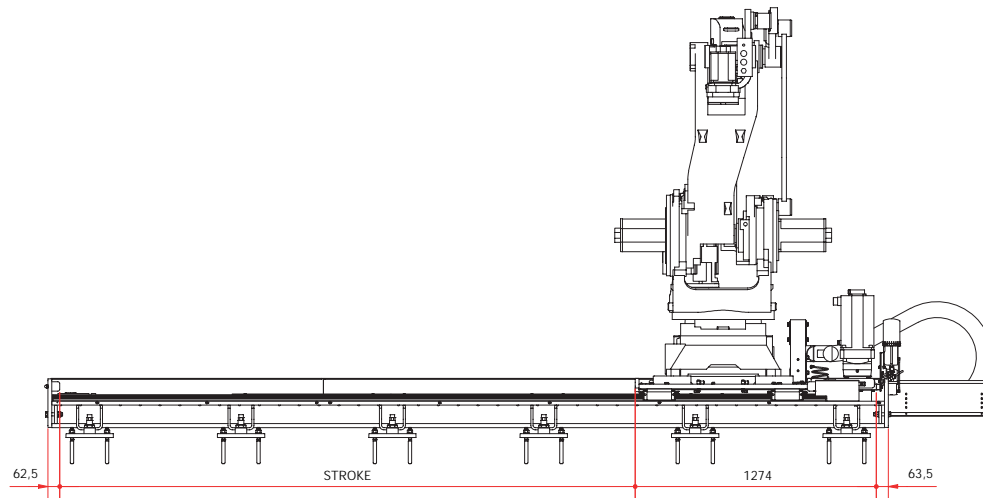
<b>Mounting Position</b>	 FLOOR
<b>Mass axis</b>	190 kg/m
<b>Guiding railsize</b>	45
<b>Rack</b>	M4
<b>Acceleration</b>	2 m/s <sup>2</sup>
<b>Speed</b>	2 m/s

## Suitable FANUC Robots

M-410iC/110
M-410iB/140H
R-2000 Series



# SRMC-1500-LC



# SRMC-2000-3



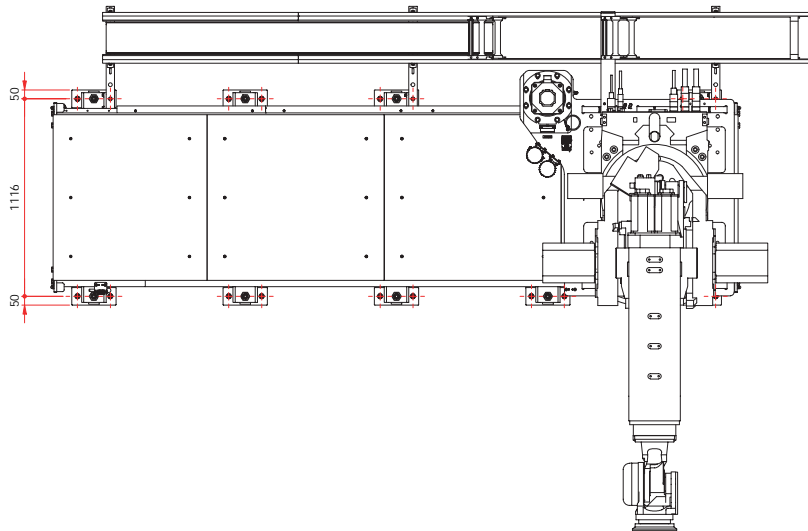
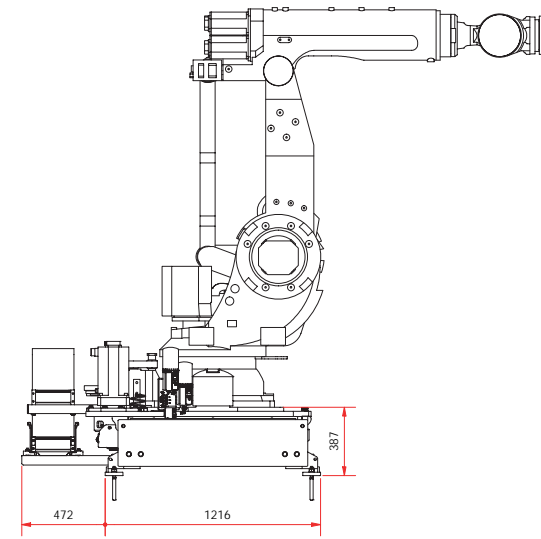
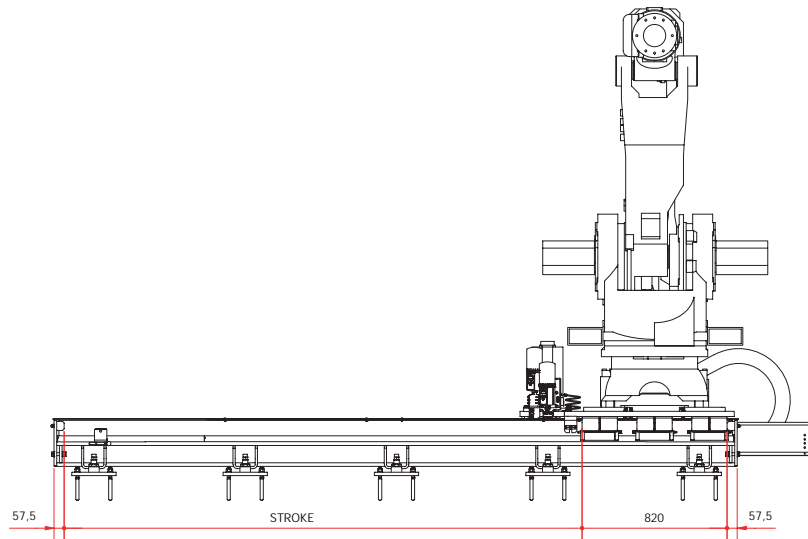
## Robotrack SRMC-2000-3

<b>Mounting Position</b>	 FLOOR
<b>Mass axis</b>	249 kg/m
<b>Guiding railsize</b>	55
<b>Rack</b>	M4
<b>Acceleration</b>	2 m/s <sup>2</sup>
<b>Speed</b>	2 m/s

## Suitable FANUC Robots

M-410iC/185
M-900iB/280
M-900iB/280L
M-900iB/360

# SRMC-2000-3



# SRMC-2000-LC



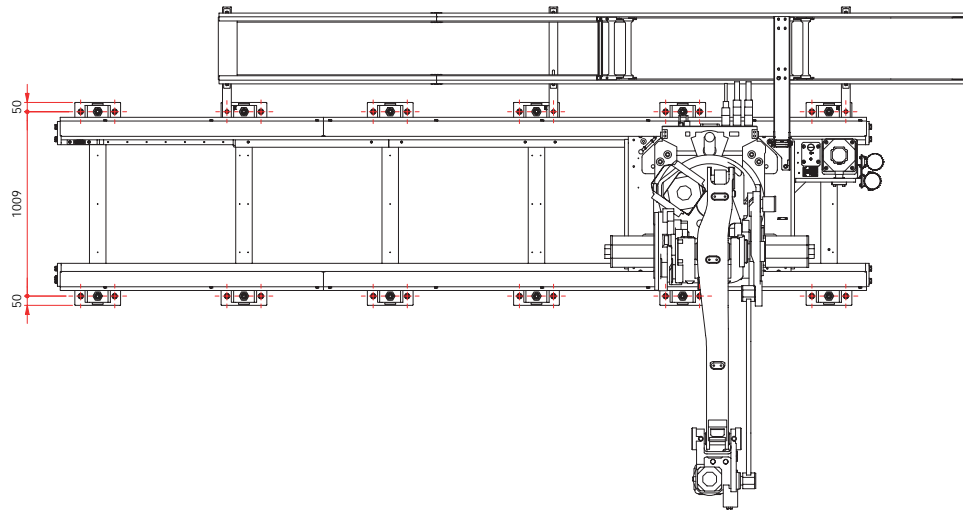
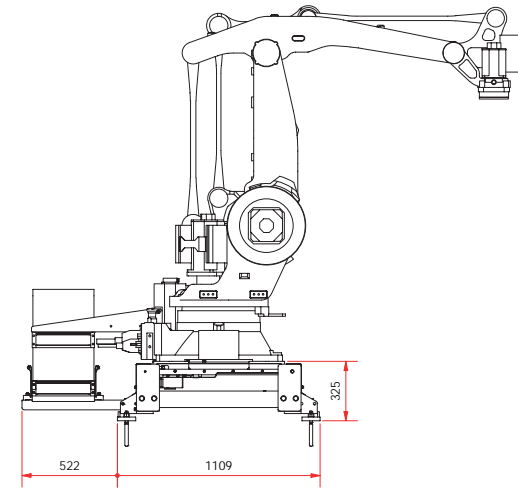
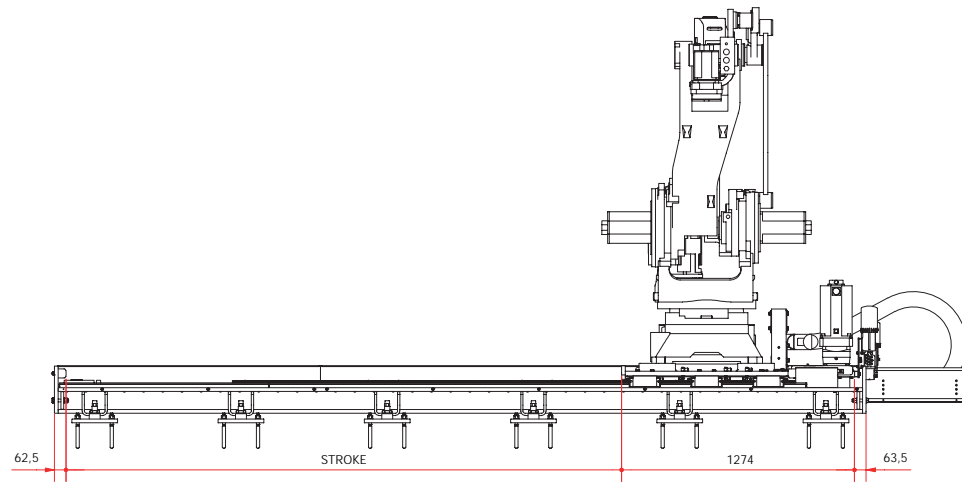
## Robottrack SRMC-2000-LC

<b>Mounting Position</b>	 FLOOR
<b>Mass axis</b>	190 kg/m
<b>Guiding railsize</b>	45
<b>Rack</b>	M4
<b>Acceleration</b>	2 m/s <sup>2</sup>
<b>Speed</b>	2 m/s

## Suitable FANUC Robots

M-410iC/185
M-900iB/280
M-900iB/280L
M-900iB/360

# SRMC-2000-LC



# FT55

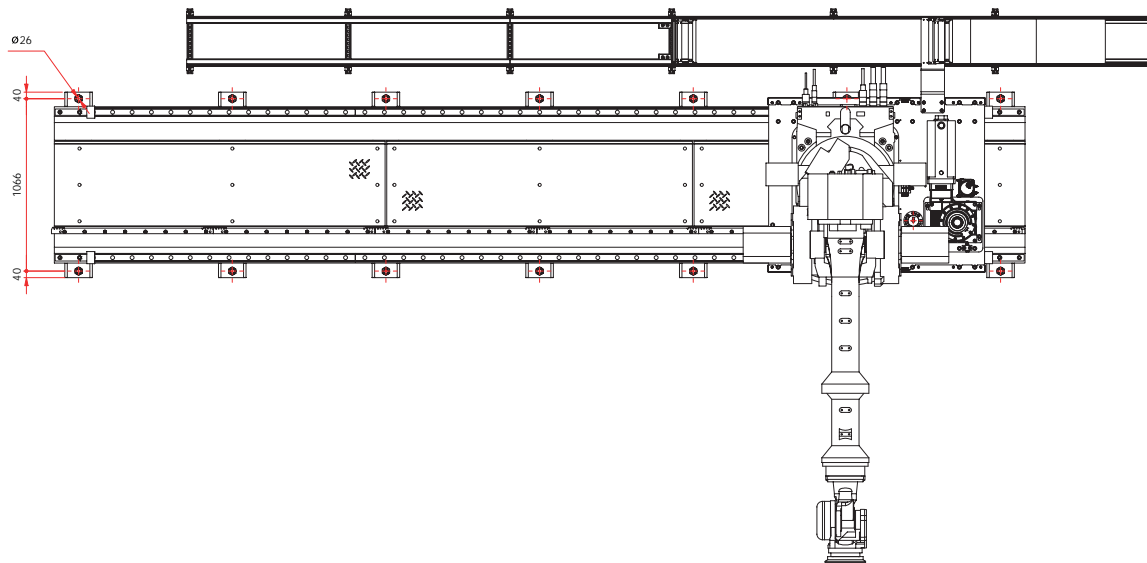
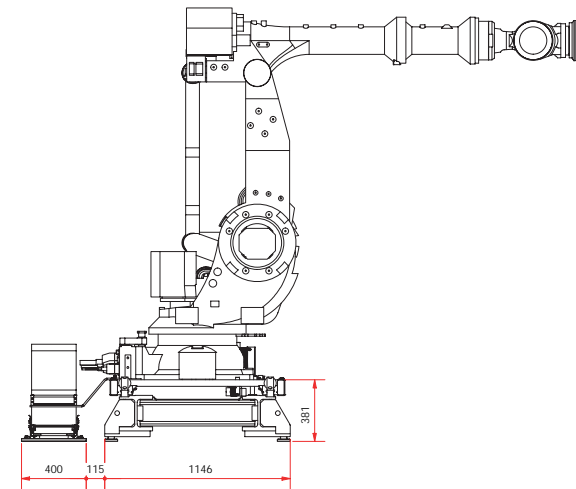
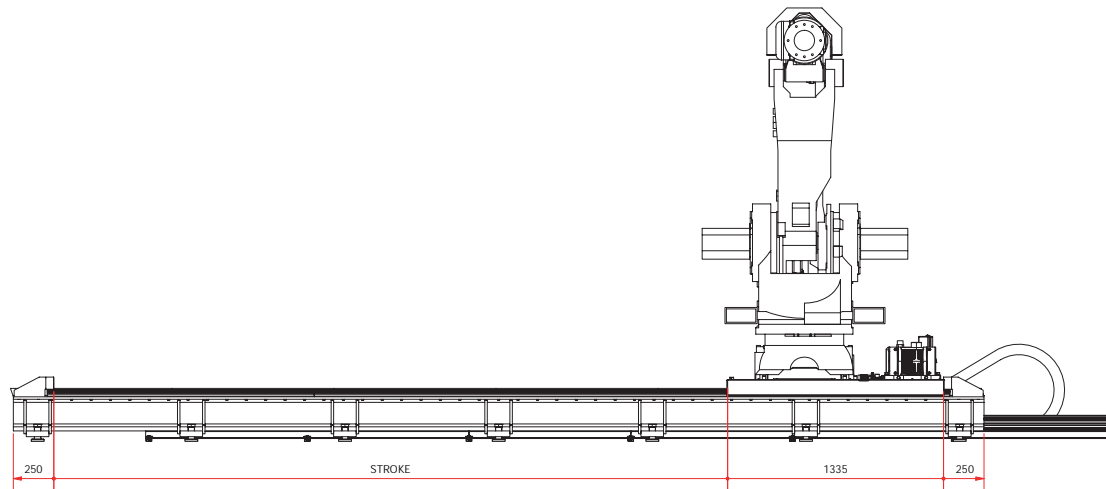


## Robottrack FT55

<b>Mounting Position</b>	 FLOOR
<b>Mass axis</b>	320 kg/m
<b>Guiding railsize</b>	55
<b>Rack</b>	M5
<b>Acceleration</b>	2 m/s <sup>2</sup>
<b>Speed</b>	2 m/s

## Suitable FANUC Robots

M-410iC/315
M-410iC/500
M-410iC/700
M-900iB/280
M-900iB/280L
M-900iB/360
M-900iB/400L
M-900iB/700



# FT55-AT



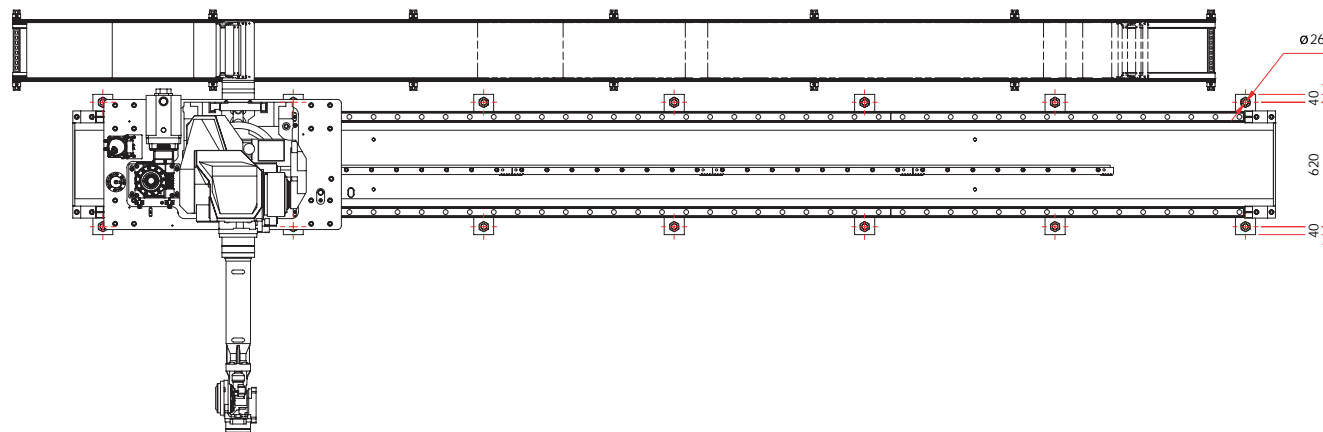
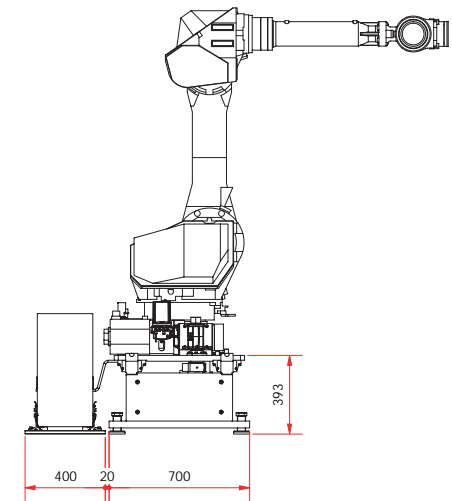
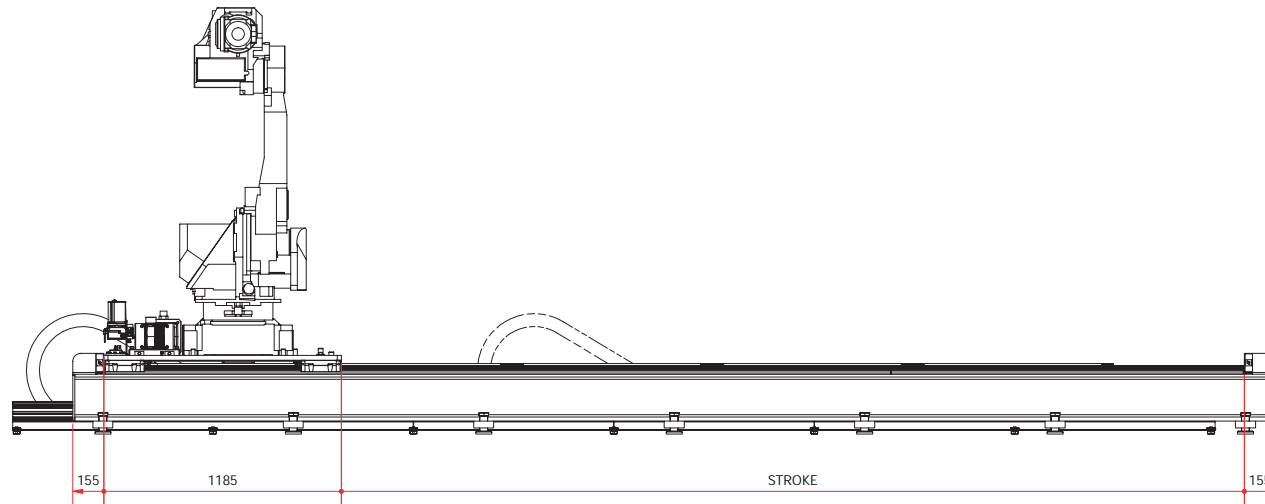
## Robotrack FT55-AT

<b>Mounting Position</b>	 FLOOR
<b>Mass axis</b>	310 kg/m
<b>Guiding railsize</b>	55
<b>Rack</b>	M4
<b>Acceleration</b>	2 m/s <sup>2</sup>
<b>Speed</b>	2 m/s

## Suitable FANUC Robots

M-710 Series
R-1000 Series





# AT55-F

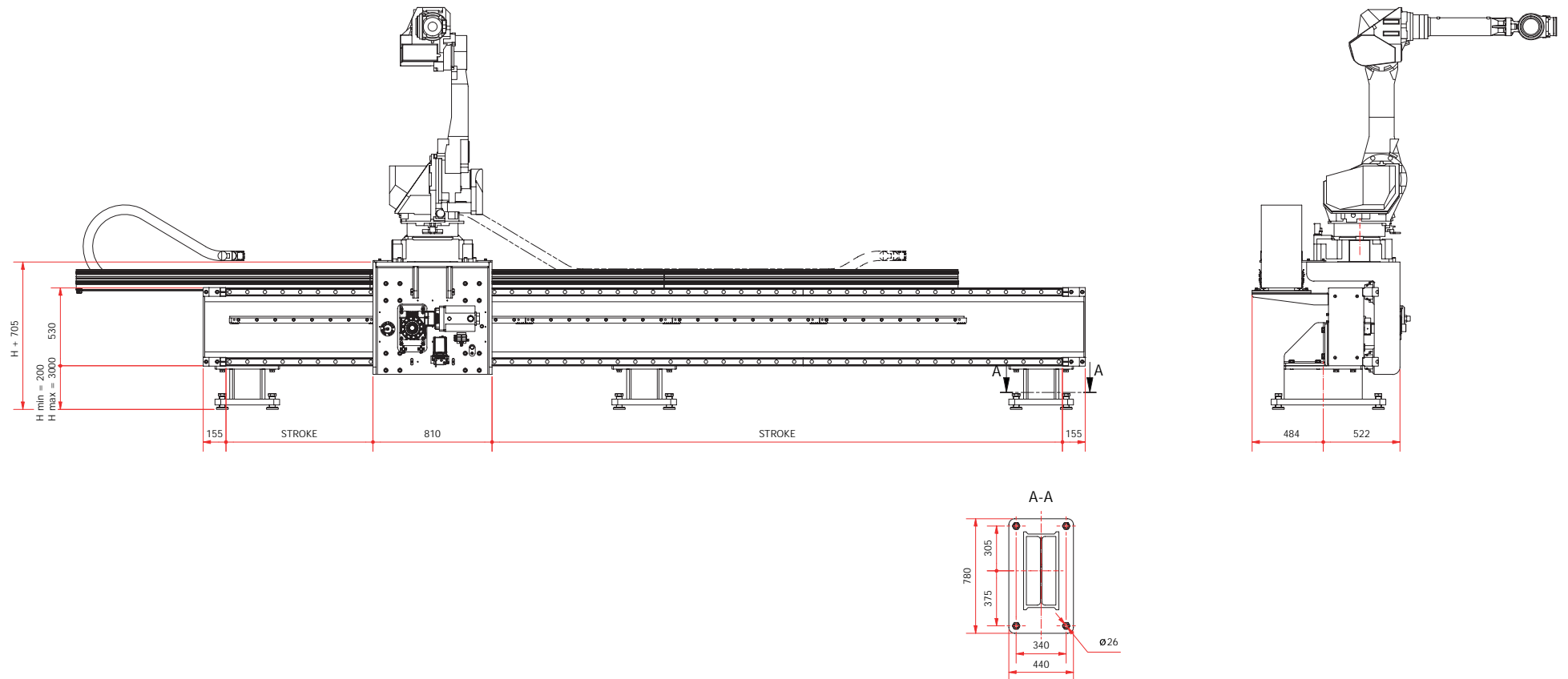


## Robotrack AT55-F

<b>Mounting Position</b>	 FLOOR
<b>Mass axis</b>	290 kg/m
<b>Guiding railsize</b>	55
<b>Rack</b>	M4
<b>Acceleration</b>	2 m/s <sup>2</sup>
<b>Speed</b>	2 m/s

## Suitable FANUC Robots

M-710 Series
R-1000 Series



# AT55-W

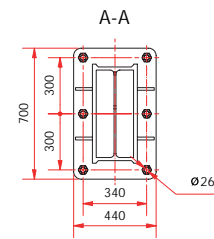
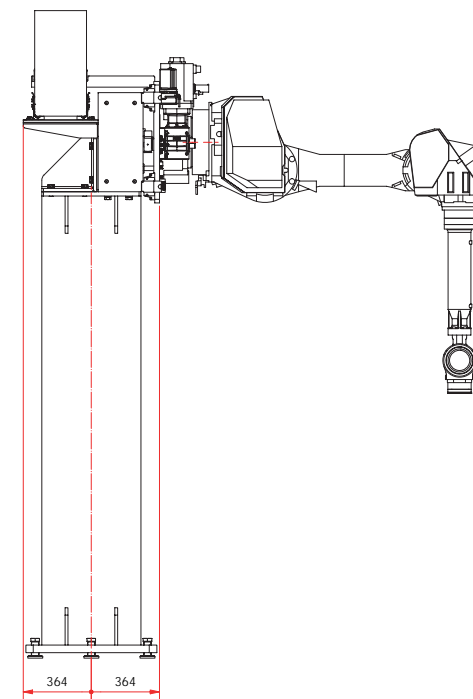
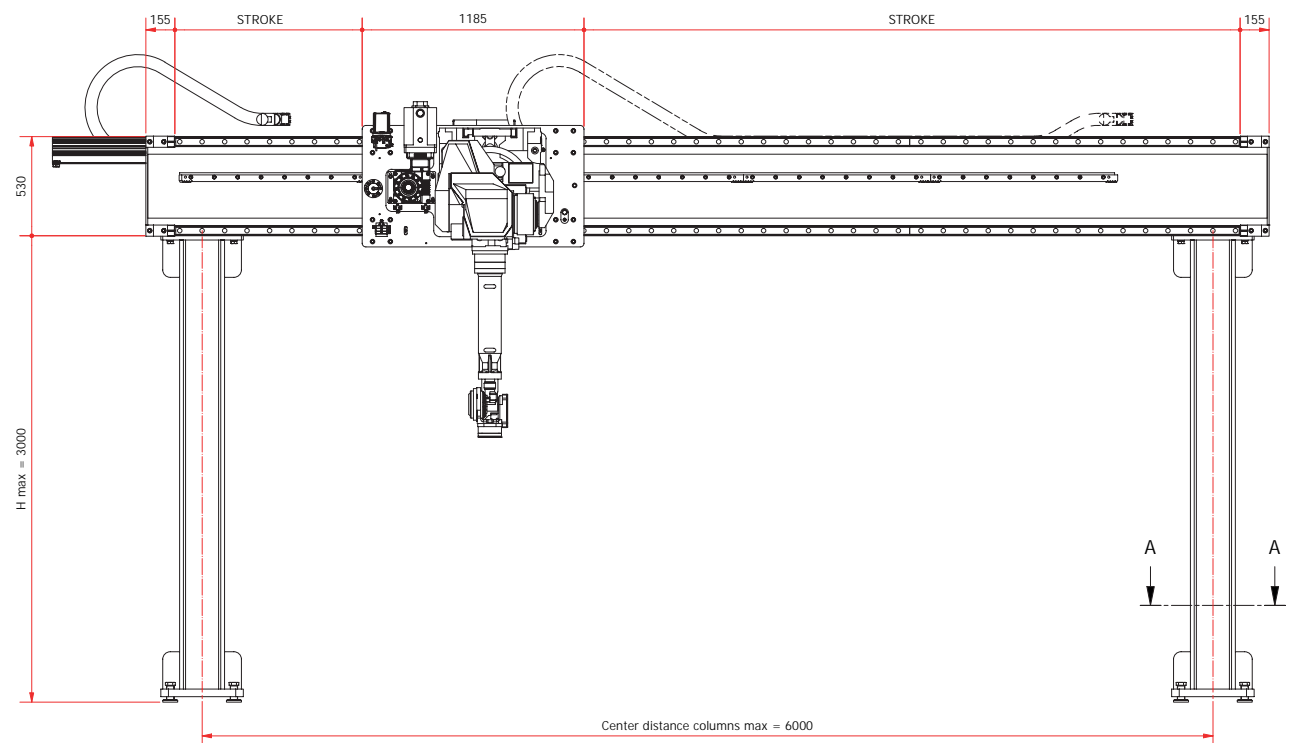


## Robotrack AT55-W

<b>Mounting Position</b>	 WALL
<b>Mass axis</b>	290 kg/m
<b>Guiding railsize</b>	55
<b>Rack</b>	M4
<b>Acceleration</b>	2 m/s <sup>2</sup>
<b>Speed</b>	2 m/s

## Suitable FANUC Robots

M-710 Series



# AT55-C

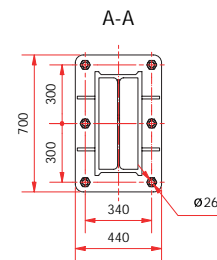
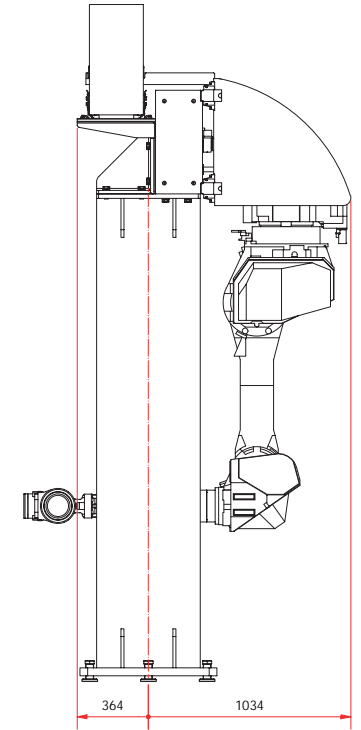
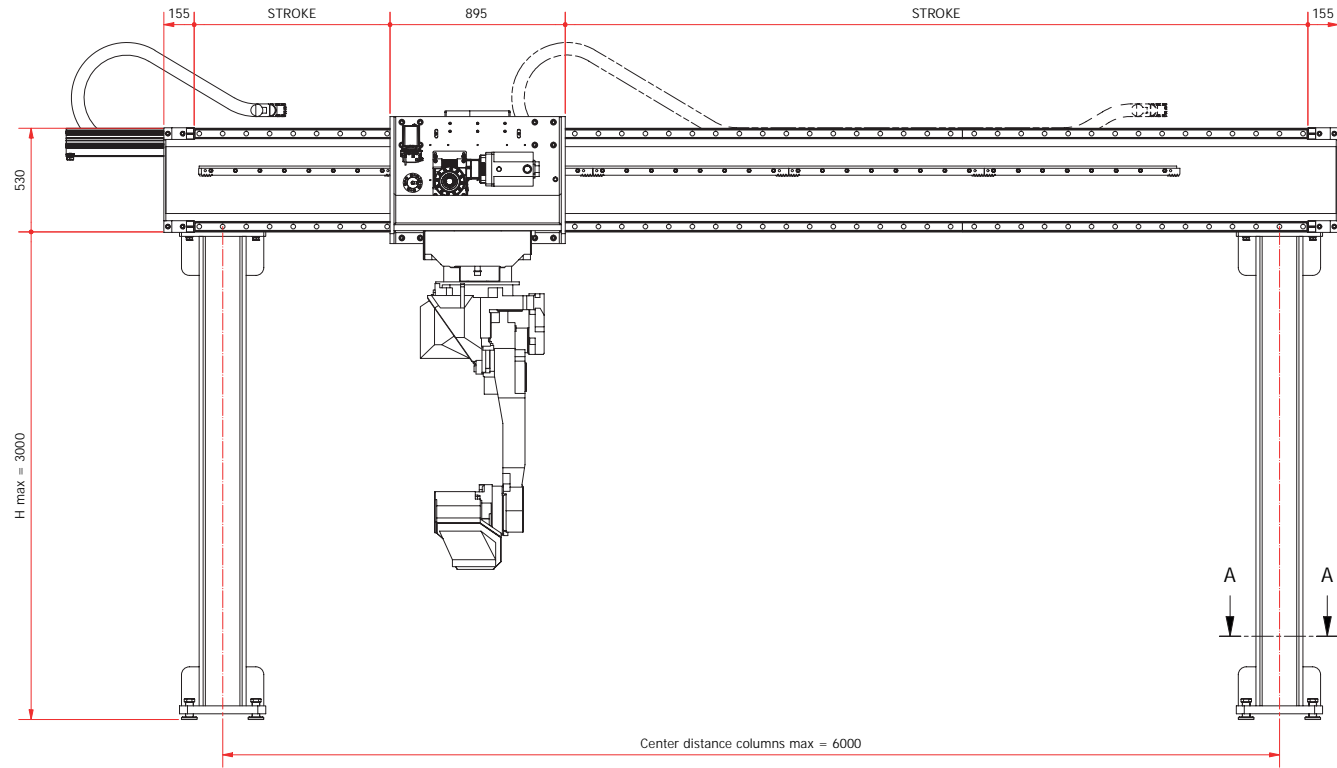


## Robotrack AT55-C

<b>Mounting Position</b>	 CEILING
<b>Mass axis</b>	290 kg/m
<b>Guiding railsize</b>	55
<b>Rack</b>	M4
<b>Acceleration</b>	2 m/s <sup>2</sup>
<b>Speed</b>	2 m/s

## Suitable FANUC Robots

M-710 Series
R-1000 Series



# SRMC-4000-LC



## Robottrack SRMC-4000-LC

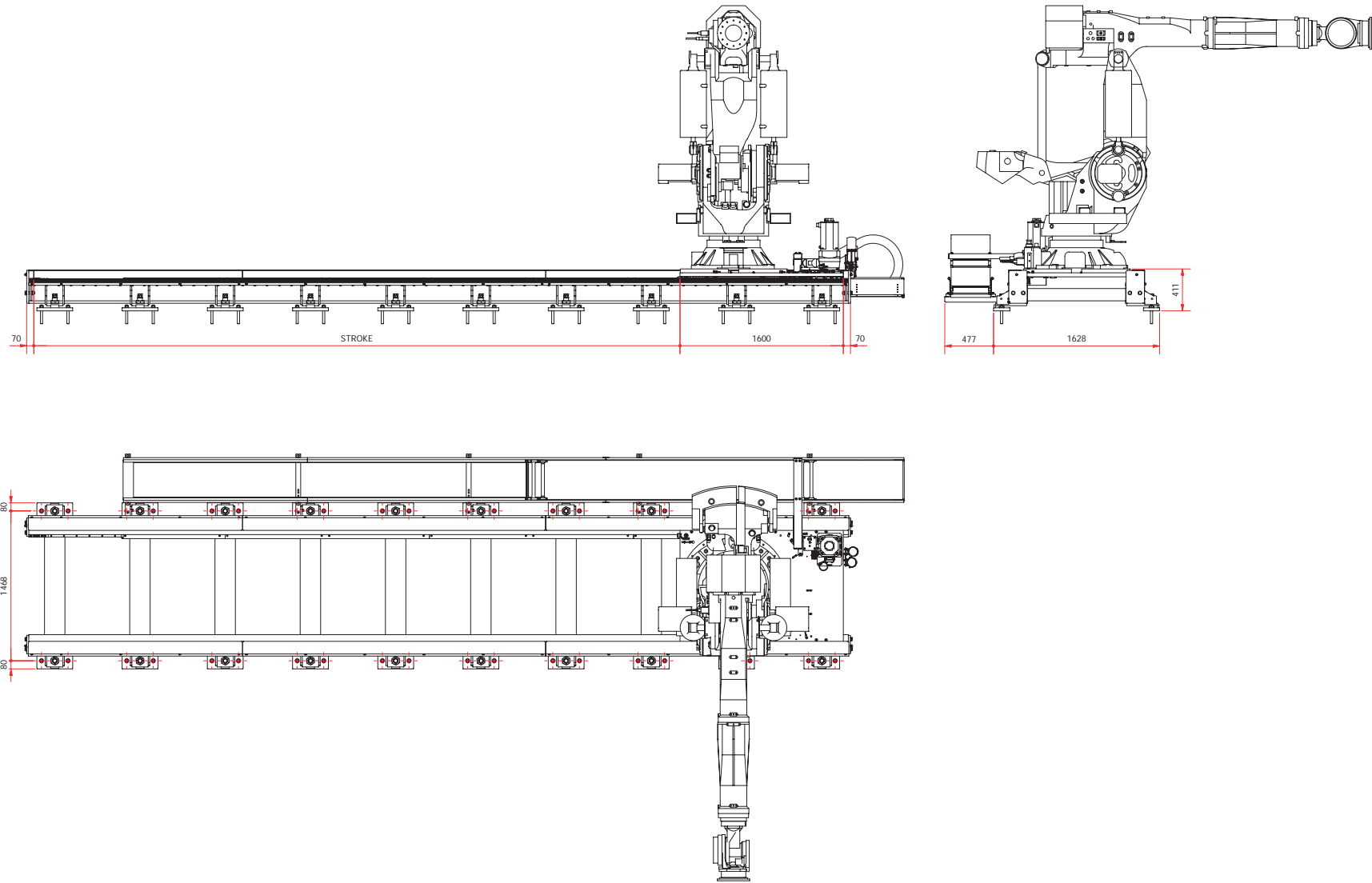
<b>Mounting Position</b>	 FLOOR
<b>Mass axis</b>	390 kg/m
<b>Guiding railsize</b>	55
<b>Rack</b>	M4
<b>Acceleration</b>	2 m/s <sup>2</sup>
<b>Speed</b>	2 m/s

## Suitable FANUC Robots

M-410iC/315
M-410iC/500
M-410iC/700
M-900iB/400L
M-900iB/700



# SRMC-4000-LC



# SRMC-750-3



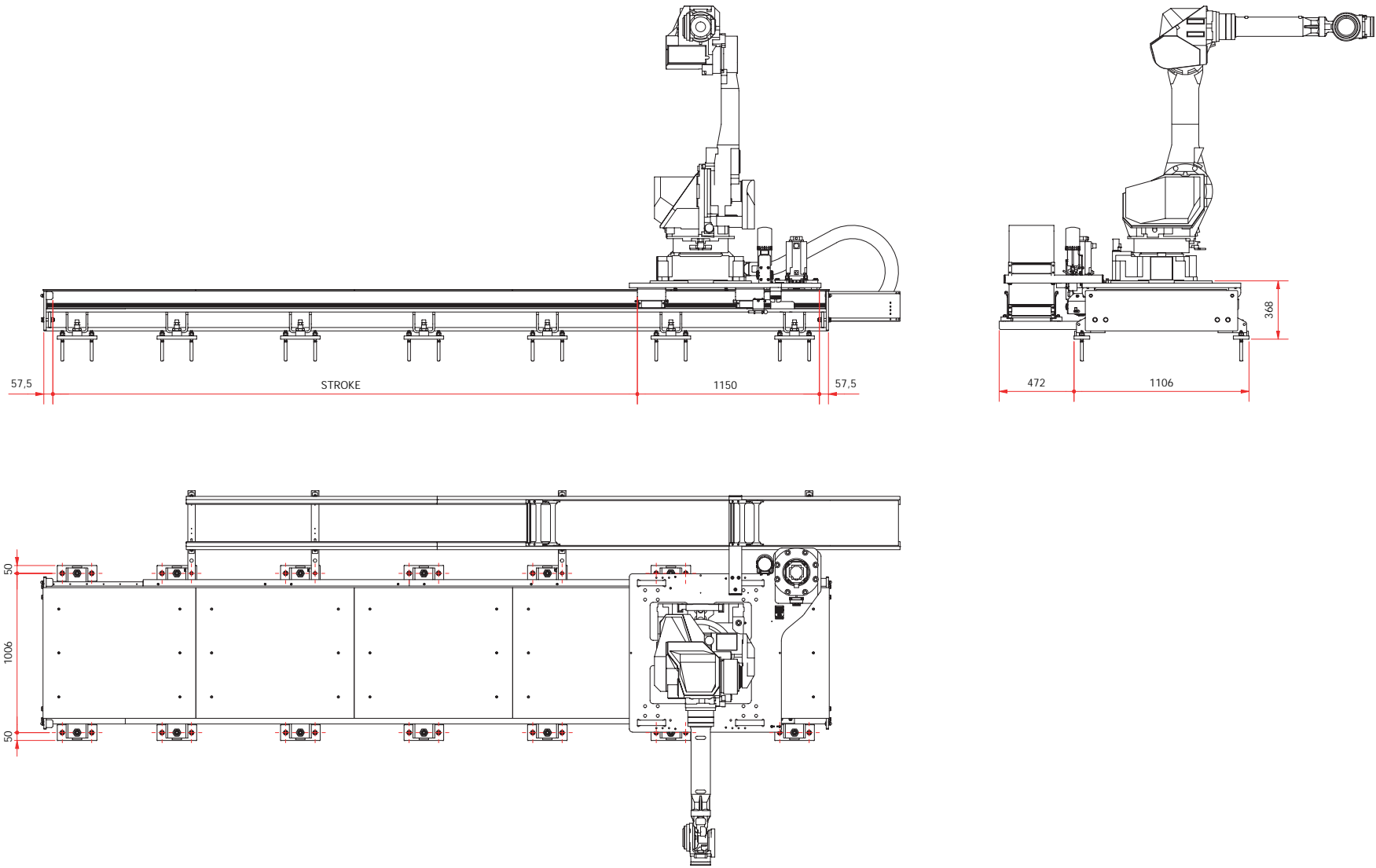
## Robottrack SRMC-750-3

<b>Mounting Position</b>	 FLOOR
<b>Mass axis</b>	218 kg/m
<b>Guiding railsize</b>	45
<b>Rack</b>	M4
<b>Acceleration</b>	2 m/s <sup>2</sup>
<b>Speed</b>	2 m/s

## Suitable FANUC Robots

M-710 Series
R-1000 Series

# SRMC-750-3



# SRMC-750-LC



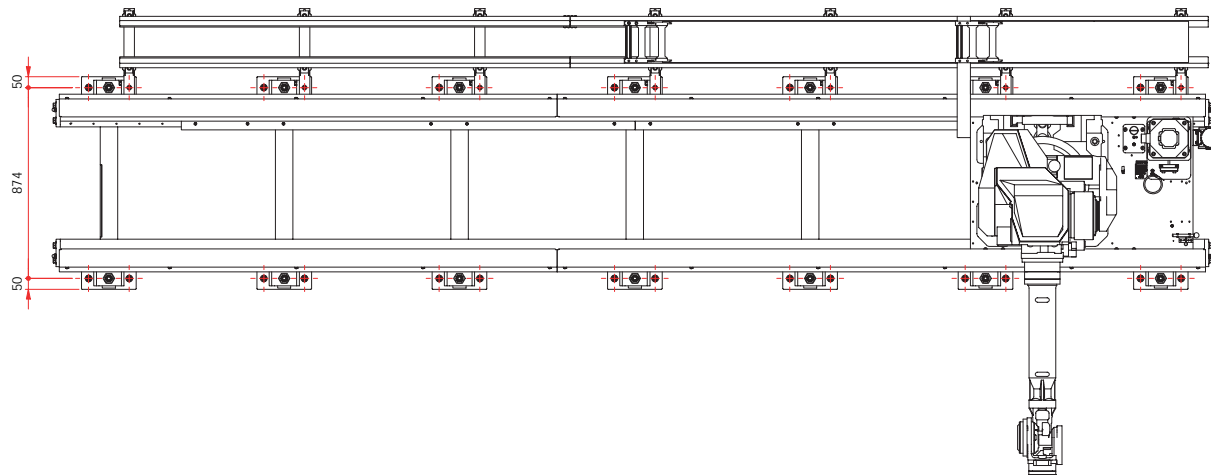
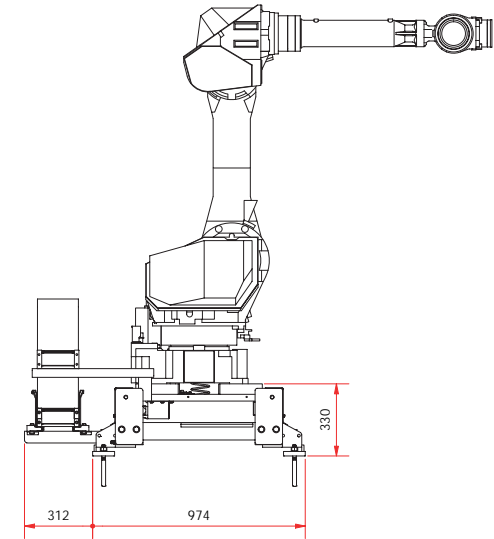
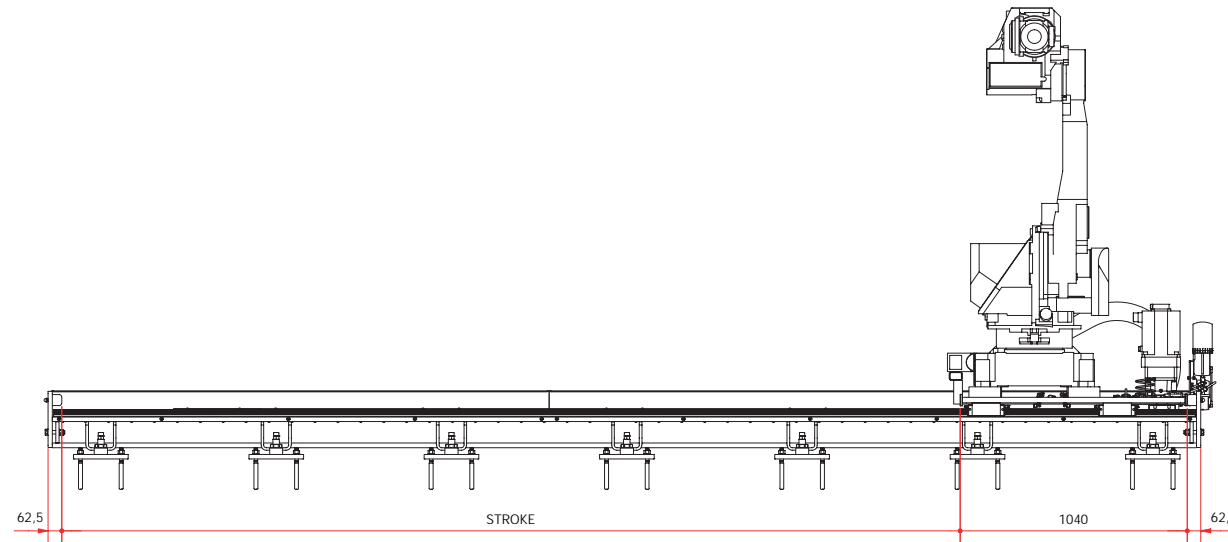
## Robotrack SRMC-750-LC

<b>Mounting Position</b>	 FLOOR
<b>Mass axis</b>	180 kg/m
<b>Guiding railsize</b>	45
<b>Rack</b>	M4
<b>Acceleration</b>	2 m/s <sup>2</sup>
<b>Speed</b>	2 m/s

## Suitable FANUC Robots

M-710 Series
R-1000 Series

# SRMC-750-LC



# FT65

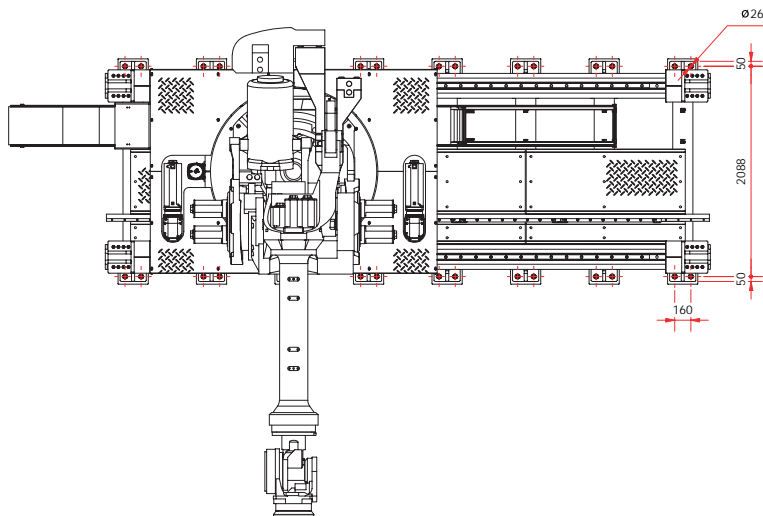
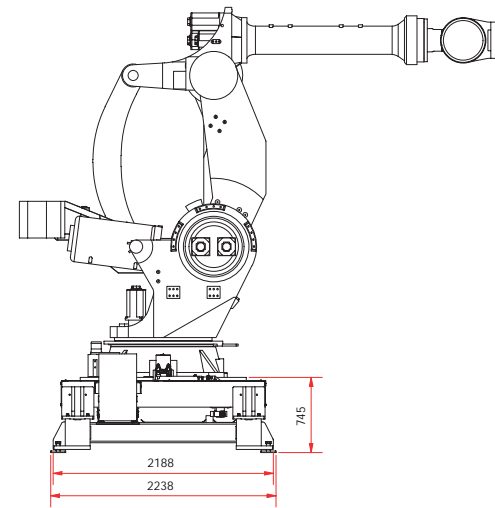
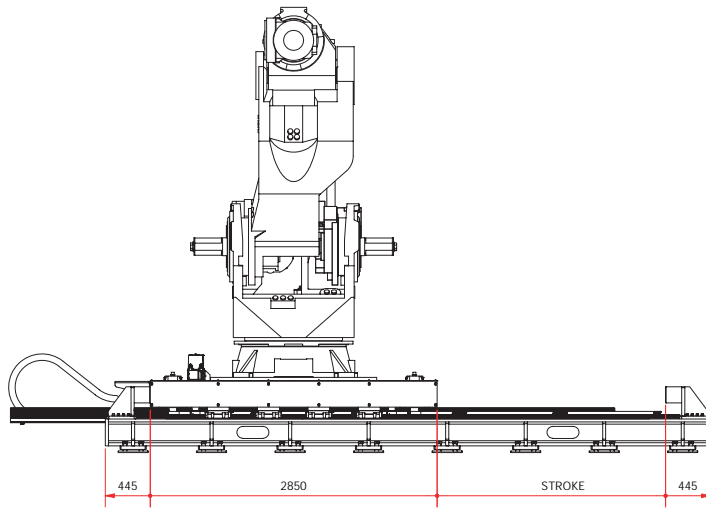


## Robottrack FT65

<b>Mounting Position</b>	 FLOOR
<b>Mass axis</b>	780 kg/m
<b>Guiding railsize</b>	65
<b>Rack</b>	M5
<b>Acceleration</b>	1 m/s <sup>2</sup>
<b>Speed</b>	1 m/s

## Suitable FANUC Robots

M-1000
M-2000iA/900L
M-2000iA/1200



# FT65-D



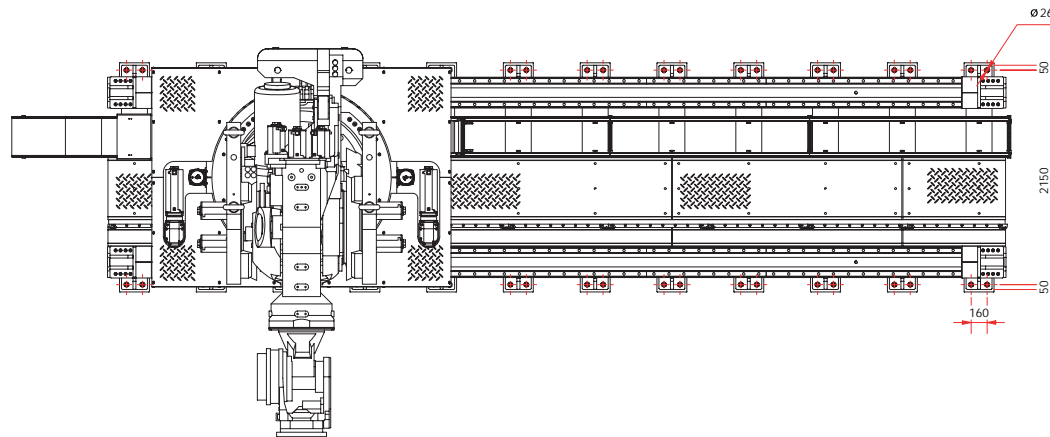
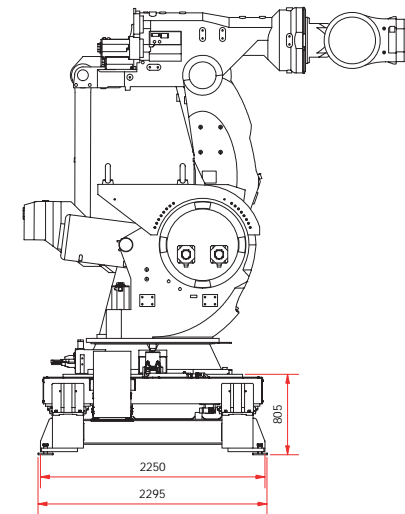
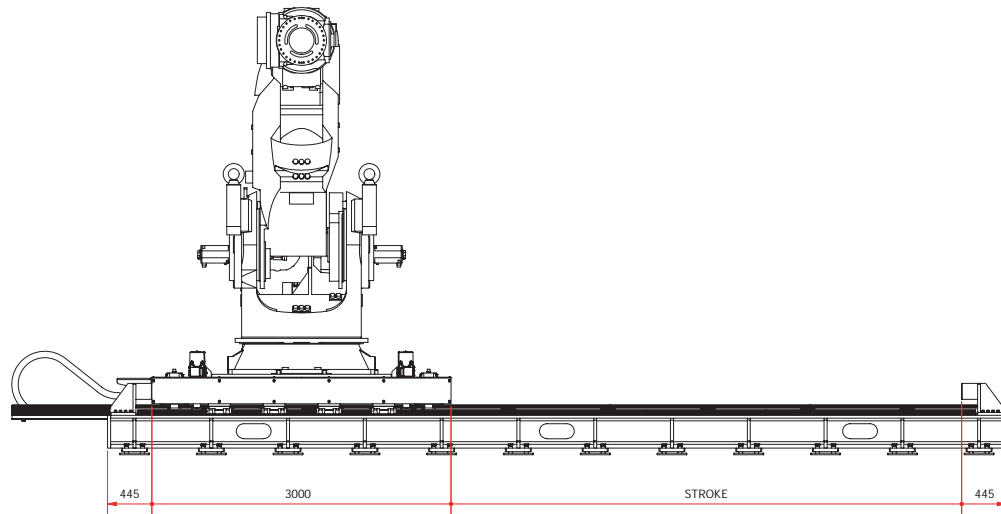
## Robotrack FT65-D

<b>Mounting Position</b>	 FLOOR
<b>Mass axis</b>	935 kg/m
<b>Guiding railsize</b>	65
<b>Rack</b>	M5
<b>Acceleration</b>	1 m/s <sup>2</sup>
<b>Speed</b>	1 m/s

## Suitable FANUC Robots

M-2000iA/1700L
M-2000iA/2300





# FT45-CO

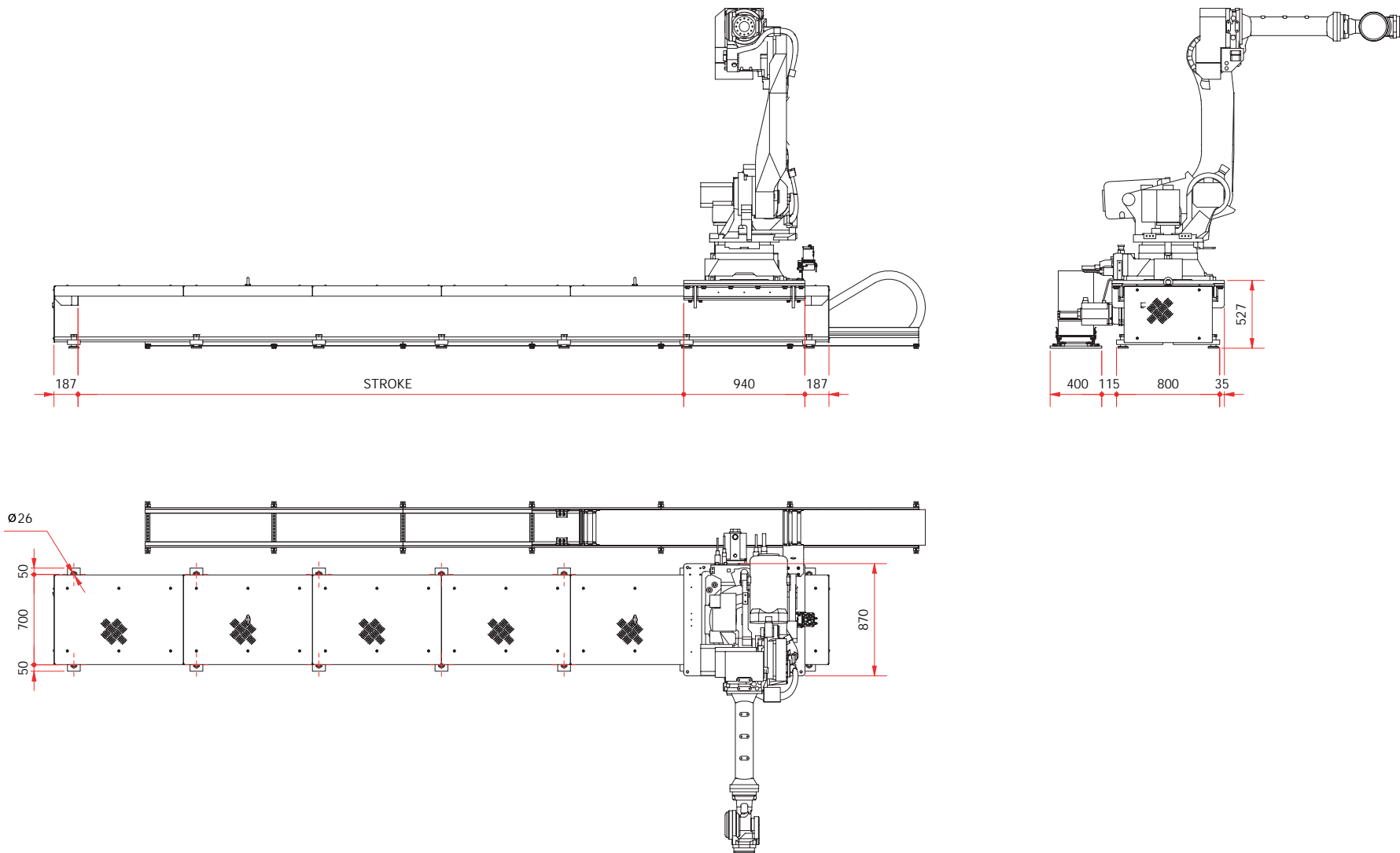


## Robotrack FT45-CO

<b>Mounting Position</b>	 FLOOR
<b>Mass axis</b>	405 kg/m
<b>Guiding railsize</b>	45
<b>Rack</b>	M4
<b>Acceleration</b>	2 m/s <sup>2</sup>
<b>Speed</b>	2 m/s

## Suitable FANUC Robots

R-1000 Series



# PAINT



## PAINT

We are able to build customized tracks for paint applications.

Linear guideways ball type are used as guides. Rack and pinion are used for the drive.

ATEX certificate Zone 2.

### Tracks can be built for these FANUC robots

P-50 iB/10L

P-1000 iA

P-250 iB/15

P-350 iA/45

P-40 iA

**For more information,  
please consult us.**

## CLEANROOM

Vansichen Linear Technology built two types of tracks for applications in cleanroom conditions:

### ISO class 7

Linear guideways ball type are used as guides. Rack and plastic pinion are used for the drive.

### ISO class 4

Linear guideways ball type are used as guides. For the drive system a linear motor is used.

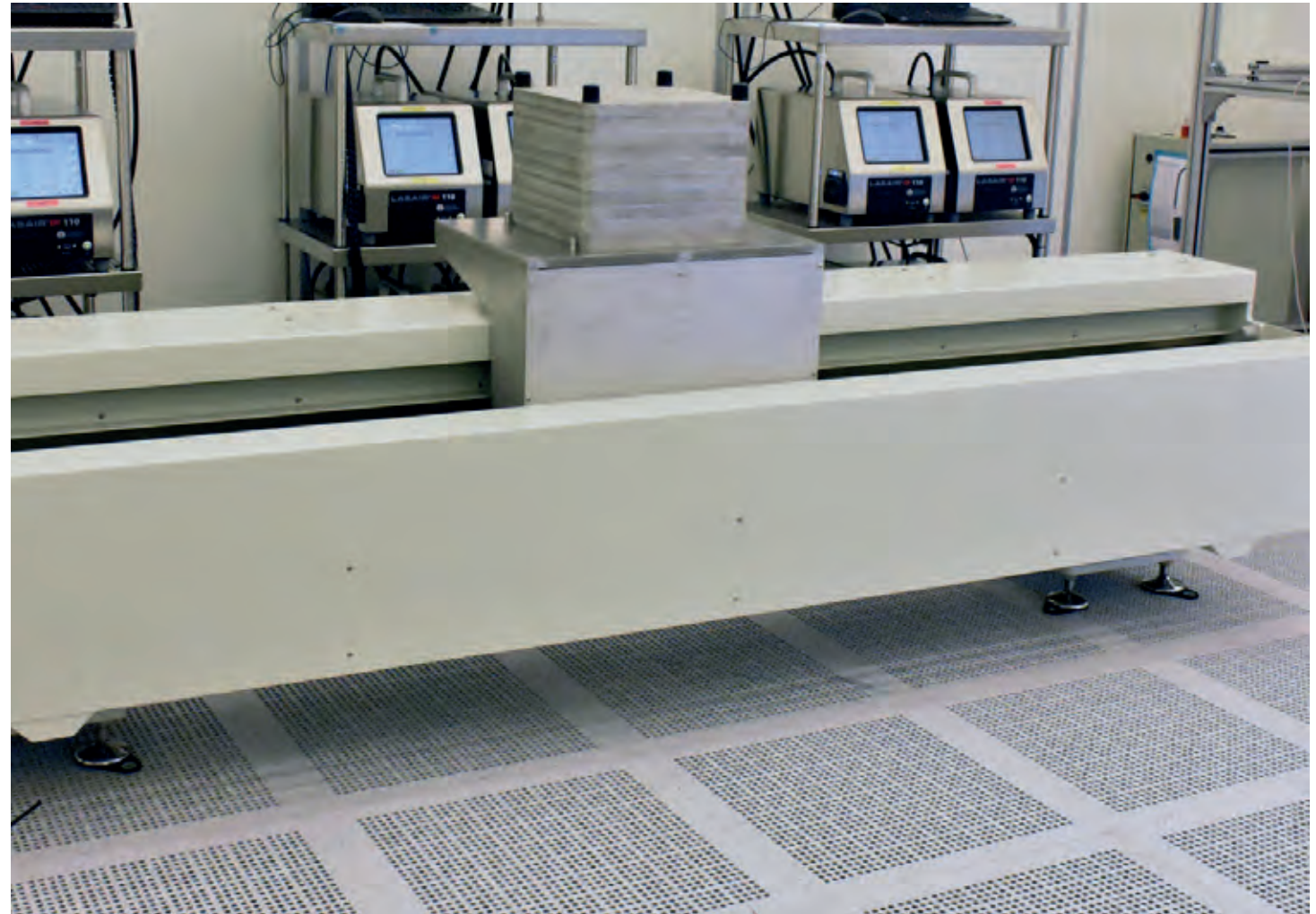
#### Tracks can be built for these FANUC robots

LR Mate 200 iD/4SC

M20 iB/25C

LR Mate 200 iD/7C

**For more information, please consult us.**



# GANTRY



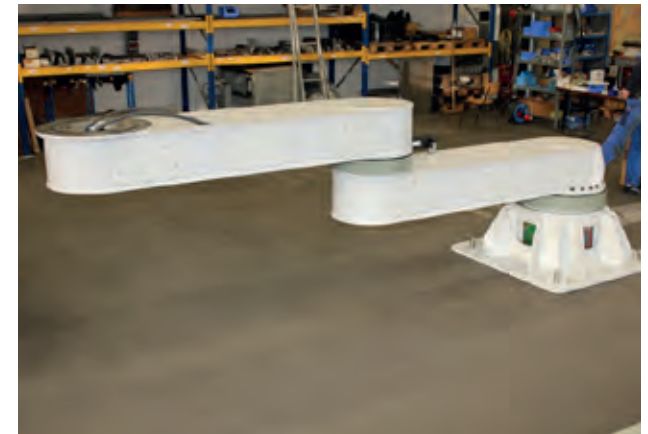
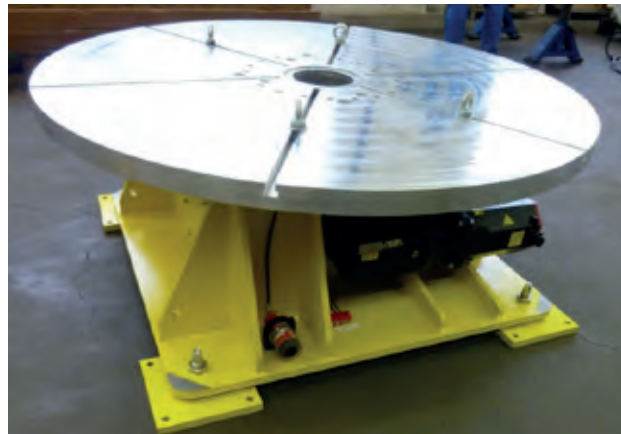
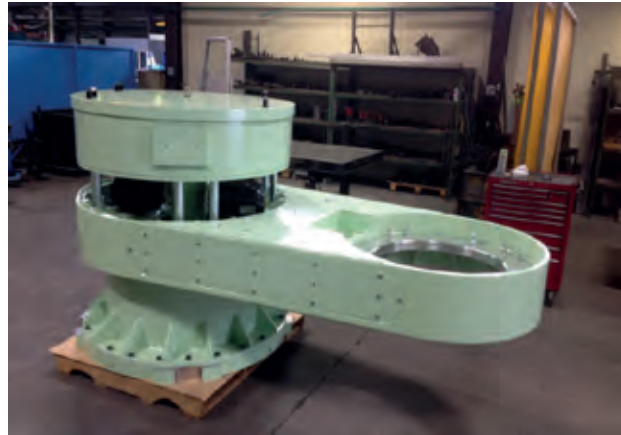
## GANTRY

All Gantry systems are built according to customer requirements.

Linear guideways ball type are used as guides. Rack and pinion are used for the drive.

## POSITIONERS

Vansichen Linear Technology builds positioner tables, one or multi-axis with a maximum load capacity up to 10 tonnes.



# REALISATIONS





# REALISATIONS



# REALISATIONS



---

# Track systems for FANUC

---

